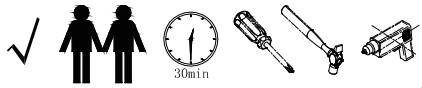
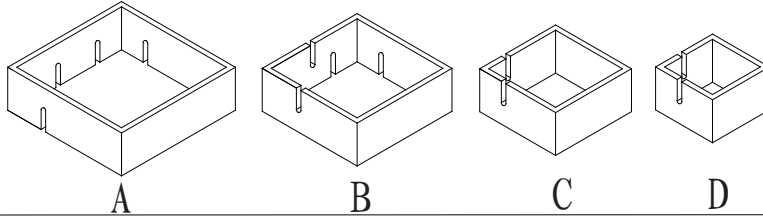


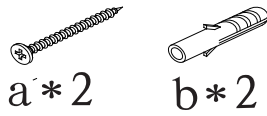
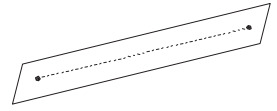
# Assembly Instructions



Components



Paper Template



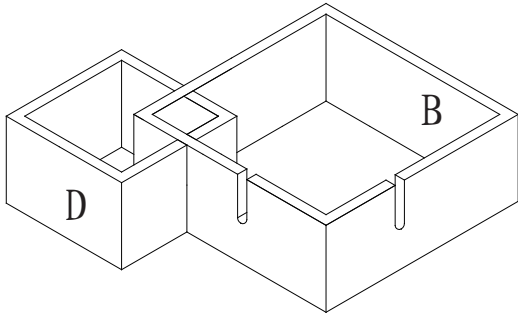
Sticker Sticker

Sticker\*2

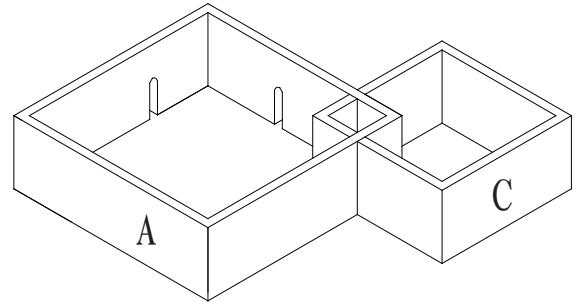
Weight Capacity

22 Ibs

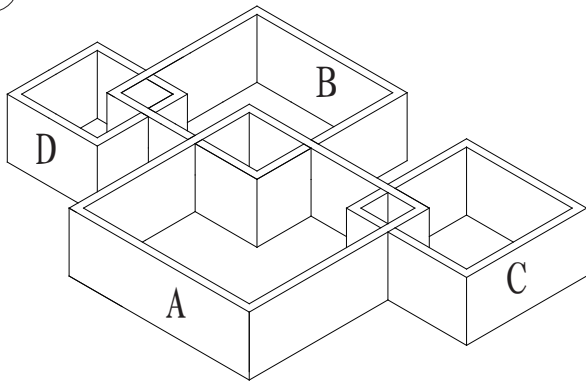
1



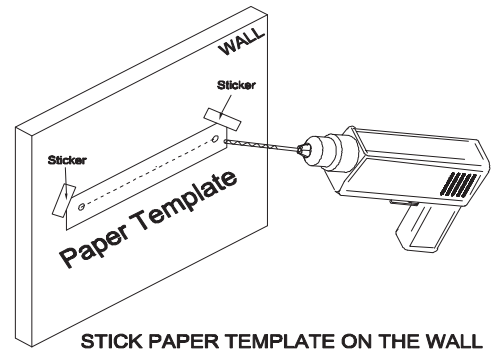
2



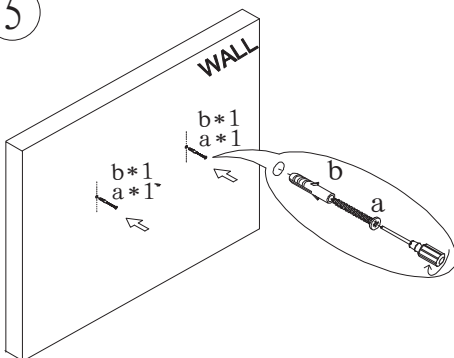
3



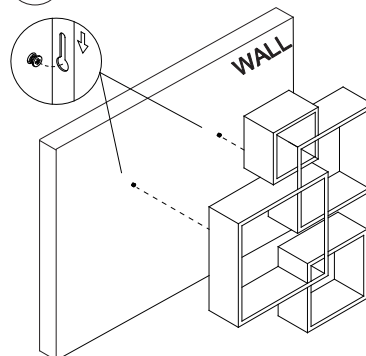
4



5



6



OR

