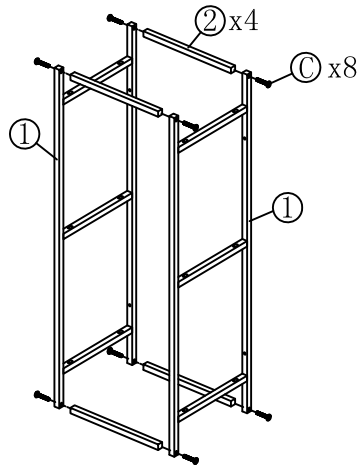


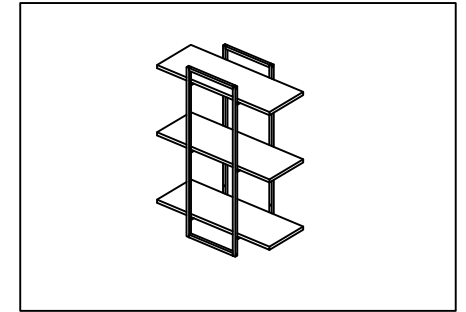
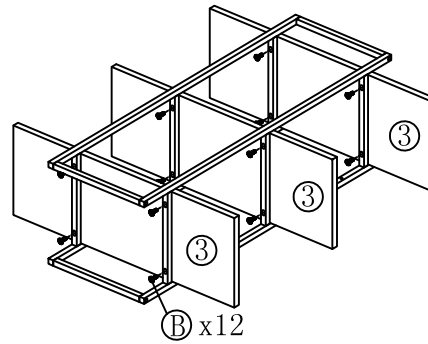
# ASSEMBLY INSTRUCTION

ITEM NO:GH21201

## STEP 1

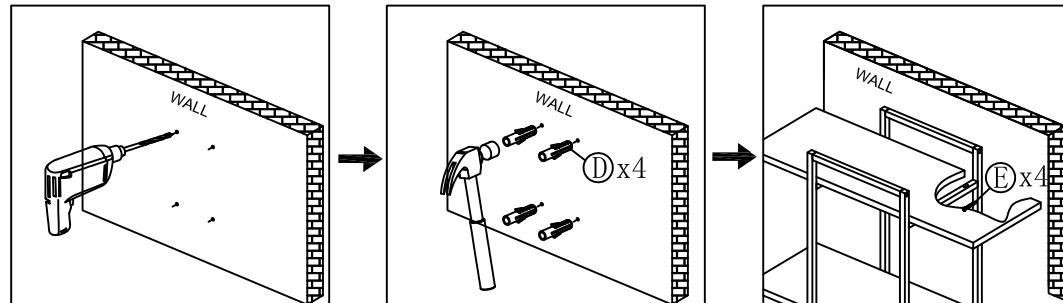
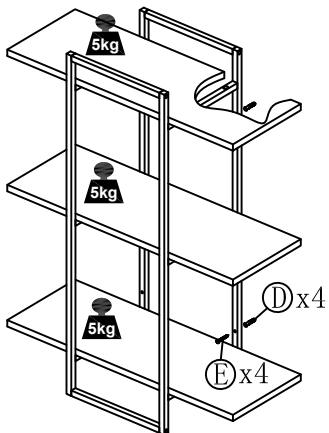




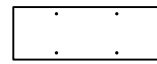





## STEP 2



## STEP 3

Maximum Weight Capacity



①		2PCS
②		4PCS
③		3PCS
Ⓐ		1PC
Ⓑ		12PCS M6*22mm
Ⓒ		8PCS M6*35mm
Ⓓ		4PCS
Ⓔ		4PCS M4*45mm