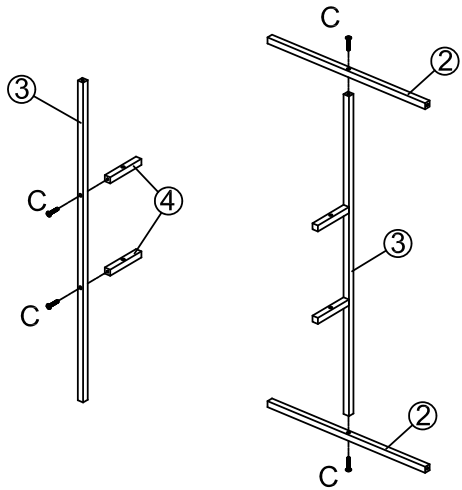


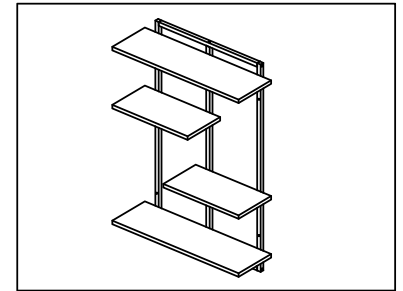
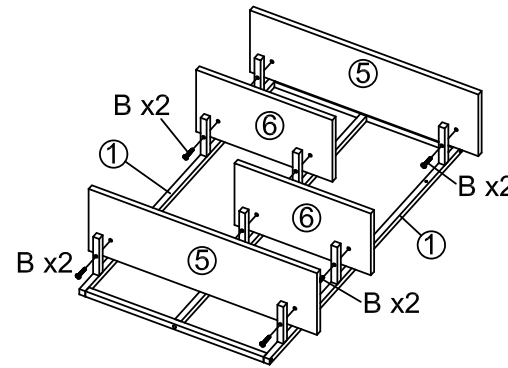
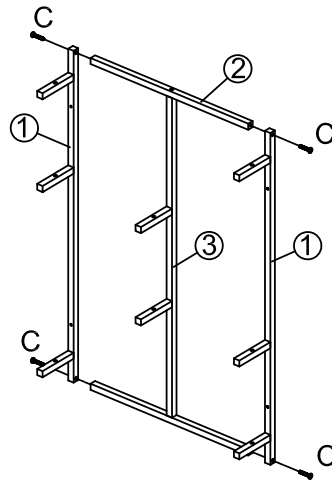


# GH2204 Assembly Instructions

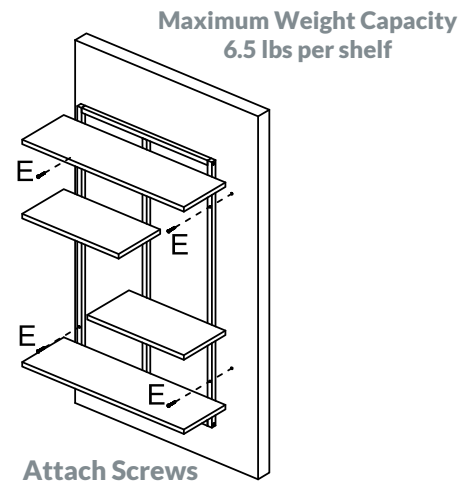
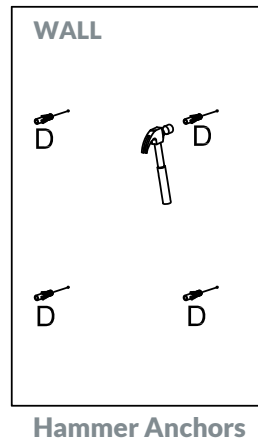
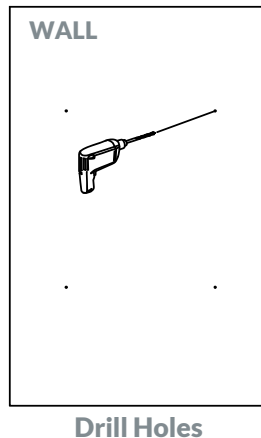
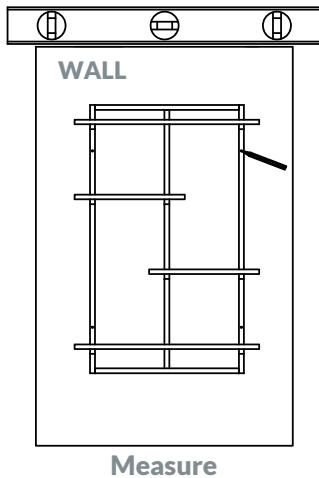
## STEP 1



## STEP 2



## STEP 3



①		2 PCS
②		2 PCS
③		1 PC
④		2 PCS
⑤		2 PCS
⑥		2 PCS
A		1 PC
B	 M6*25mm	8 PCS
C	 M6*35mm	8 PCS
D		4 PCS
E	 M4*45mm	4 PCS