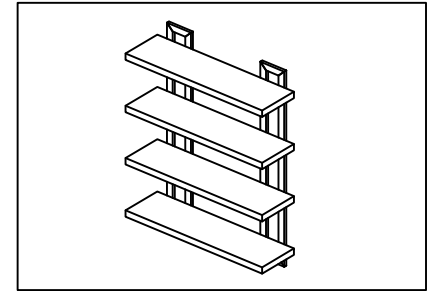
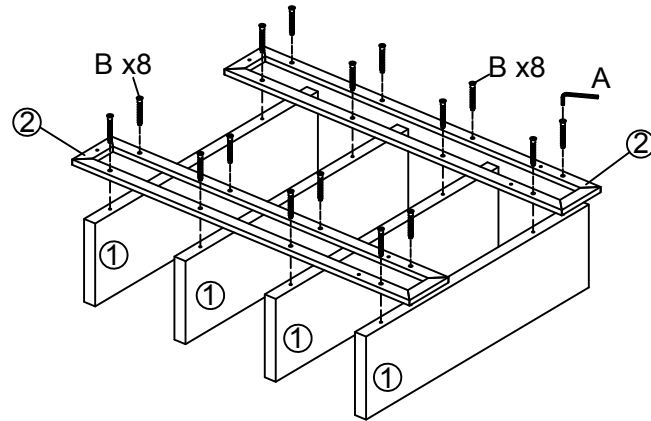


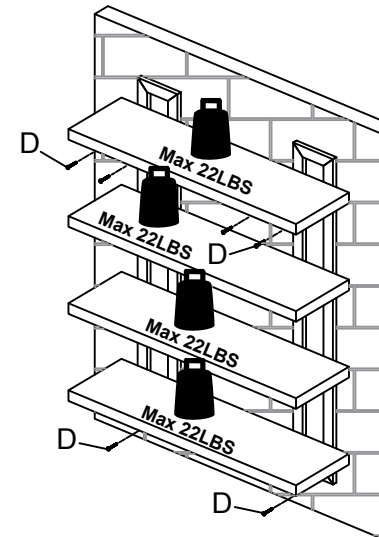
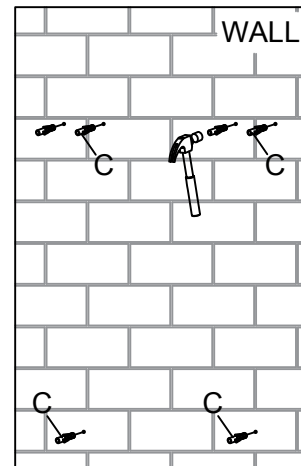
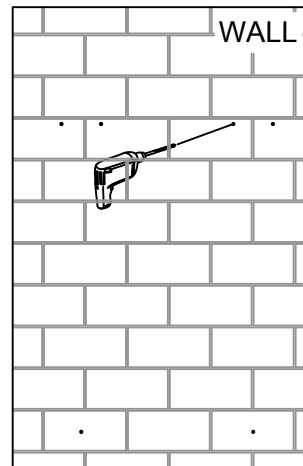
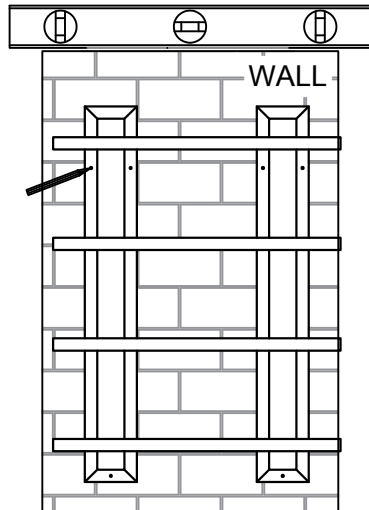
# ASSEMBLY INSTRUCTION

ITEM NO:GH22300

## STEP 1



## STEP 2



①		4PCS
②		2PCS
A		1PC
B	 M7*50mm	16PCS
C		6PCS
D	 M4*45mm	6PCS