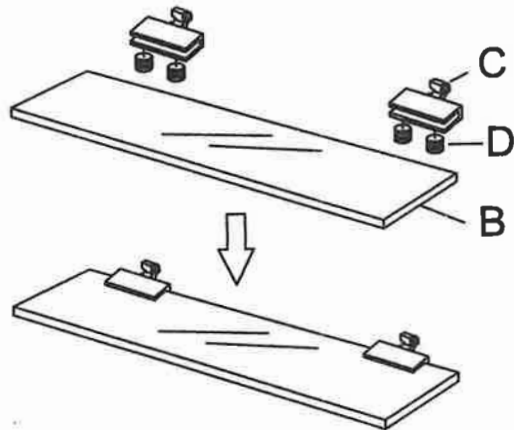
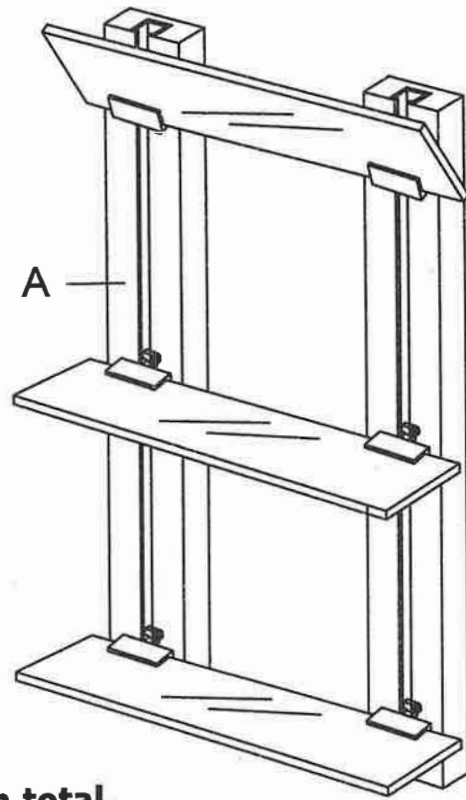


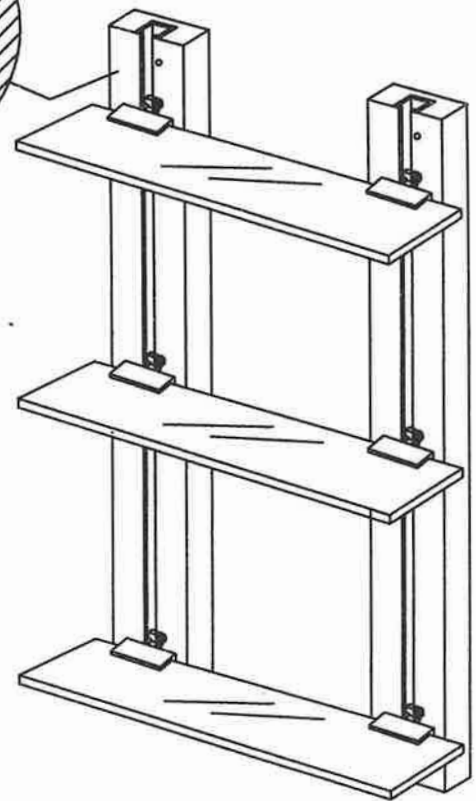
### STEP 1



### STEP 2

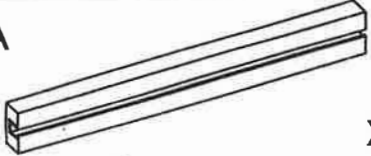







### STEP 3



**The weight capacity is 26.5 lbs in total.**

**(9 lbs per shelf)**

A  x2	B  x3	C  x6	D  x12	E  x4	F  x4
---	--	---	---	--	--