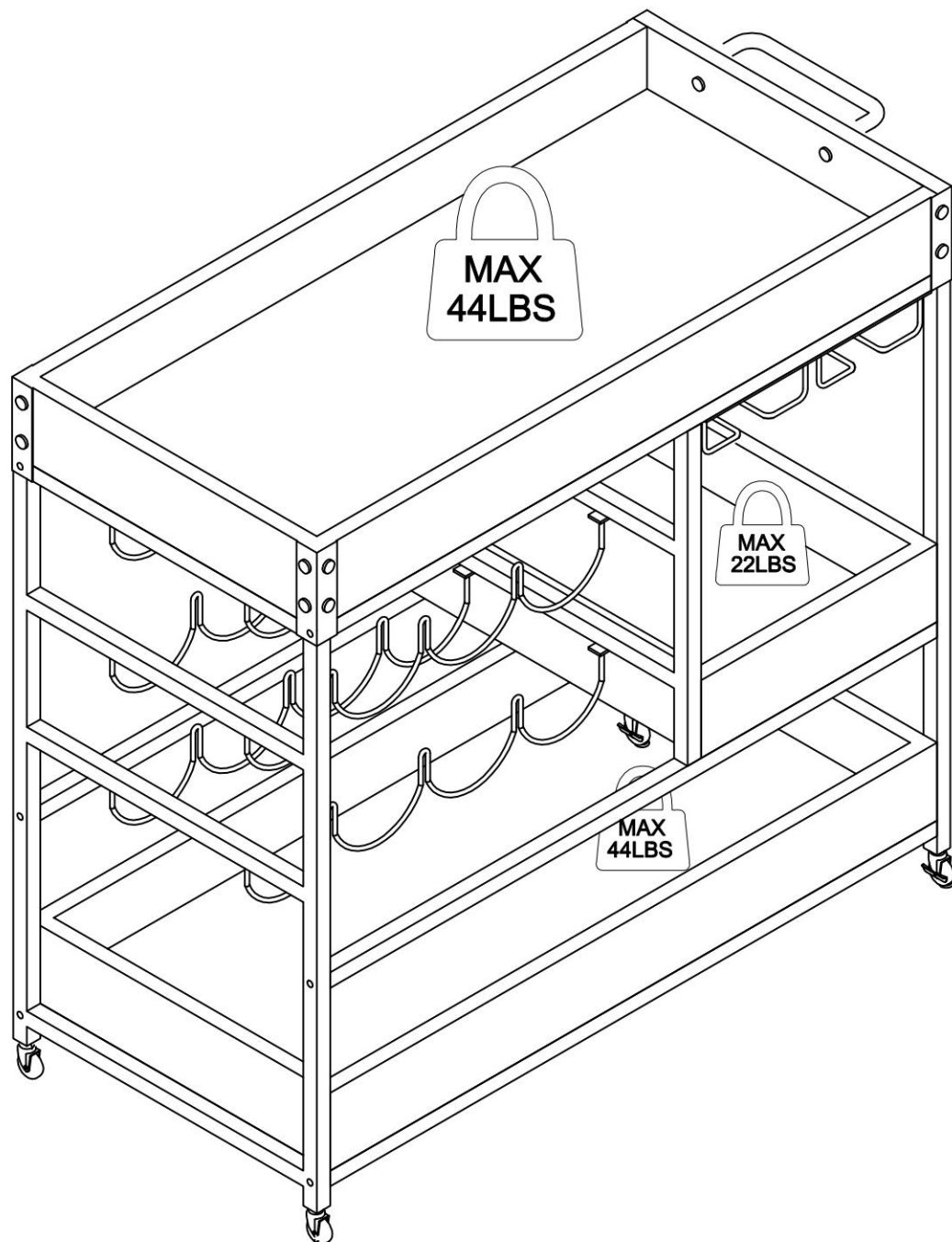
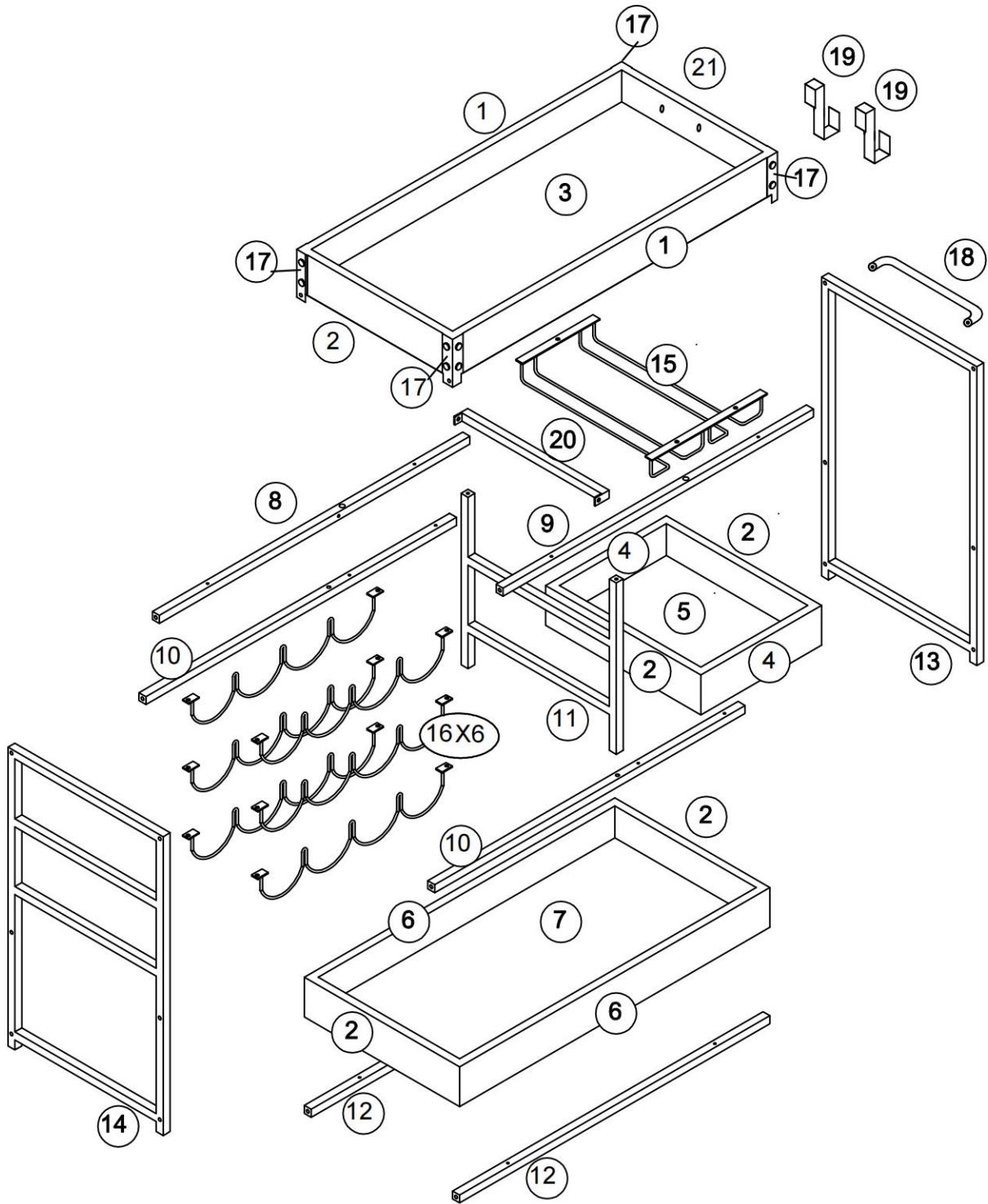












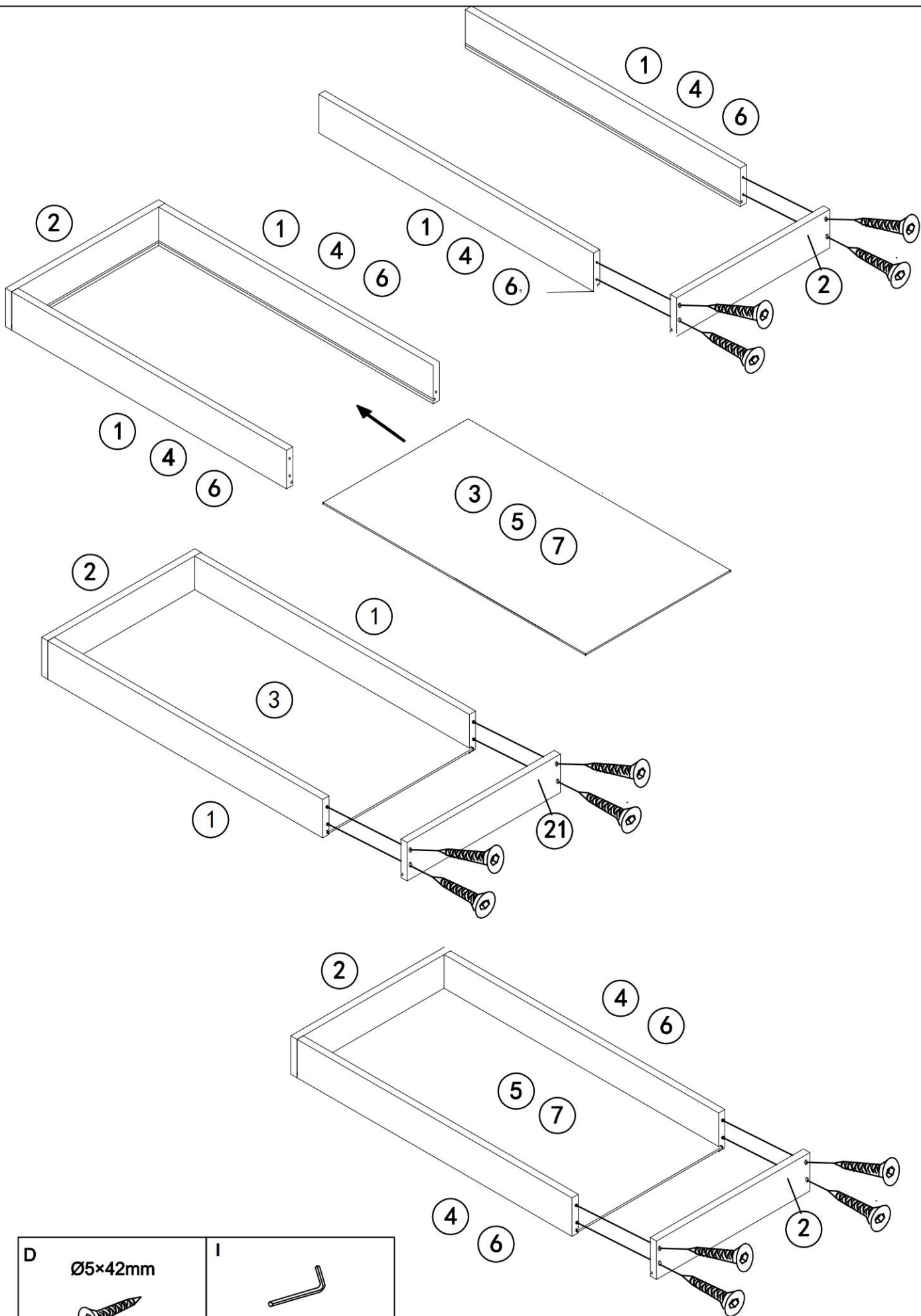
RT008WN Assembly Instructions





NOTE: Don't fully tighten the screws until the very end. Once you have fully assembled the cart, then proceed to completely tighten all the screws.

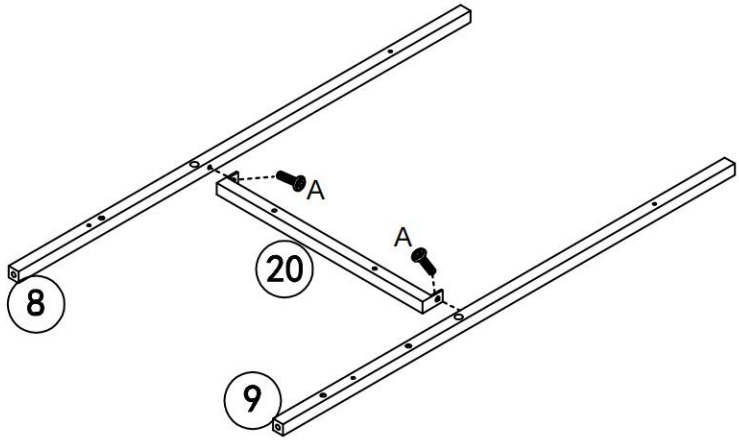




A M6×12mm  17PCS	B M6×35mm  16PCS	C M6×35mm  2PCS	D Ø5×42mm  24PCS	E Ø4×28mm  12PCS
F Ø4×14mm  16PCS	G  2PCS	H  2PCS	I  1PC	J  1PC



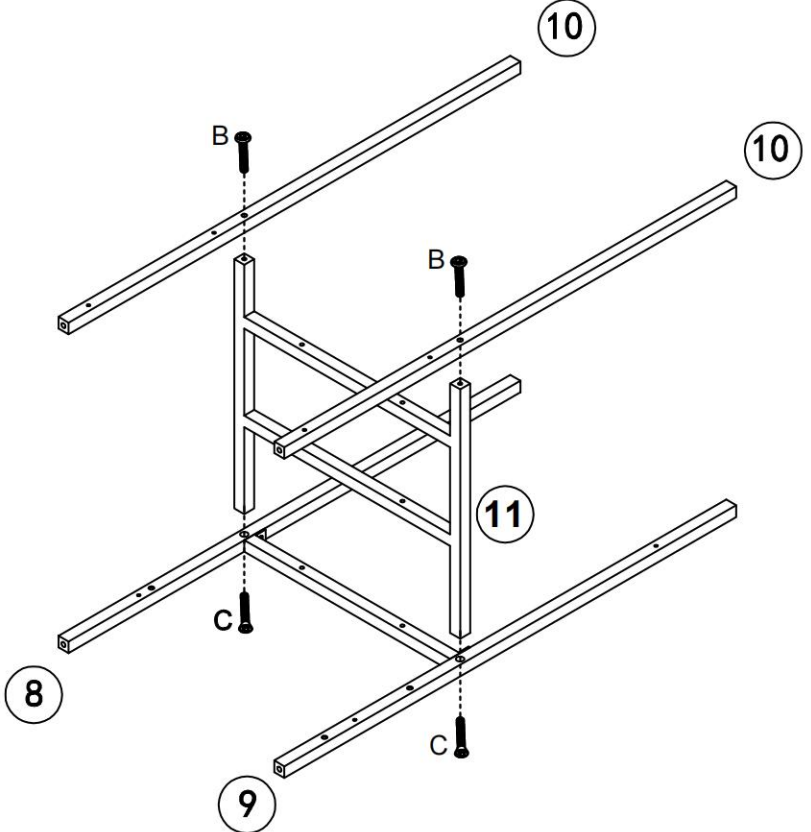
<p>D</p> <p>Ø5×42mm</p>  <p>24PCS</p>	<p>I</p>  <p>1PC</p>
---	--




1



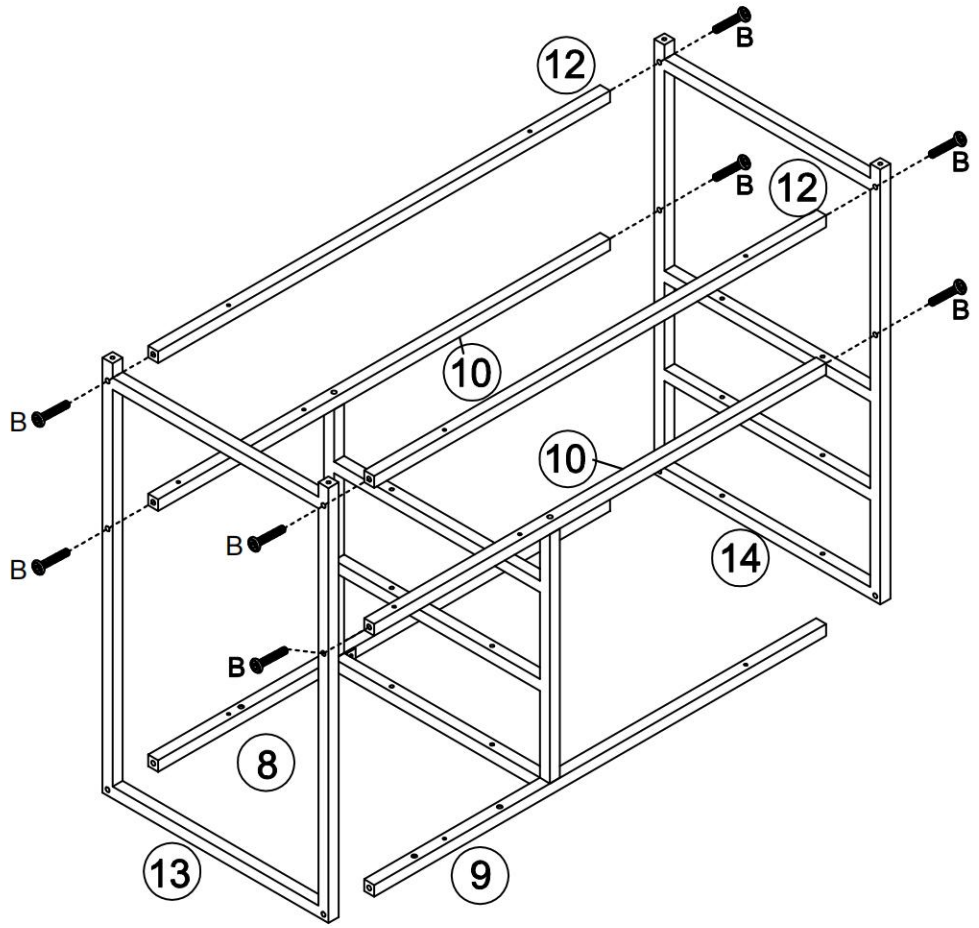
A	M6×12mm		2PCS
I			1PC



2



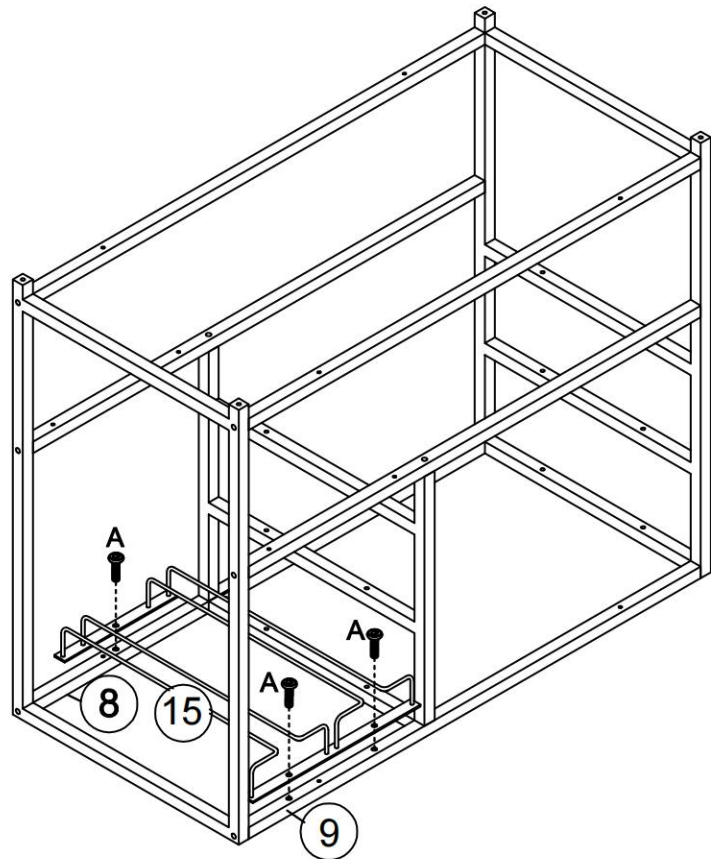
B	M6×35mm		2PCS
C	M6×35mm		2PCS
I			1PC



3







B	M6×35mm
	8PCS
I	
	1PC

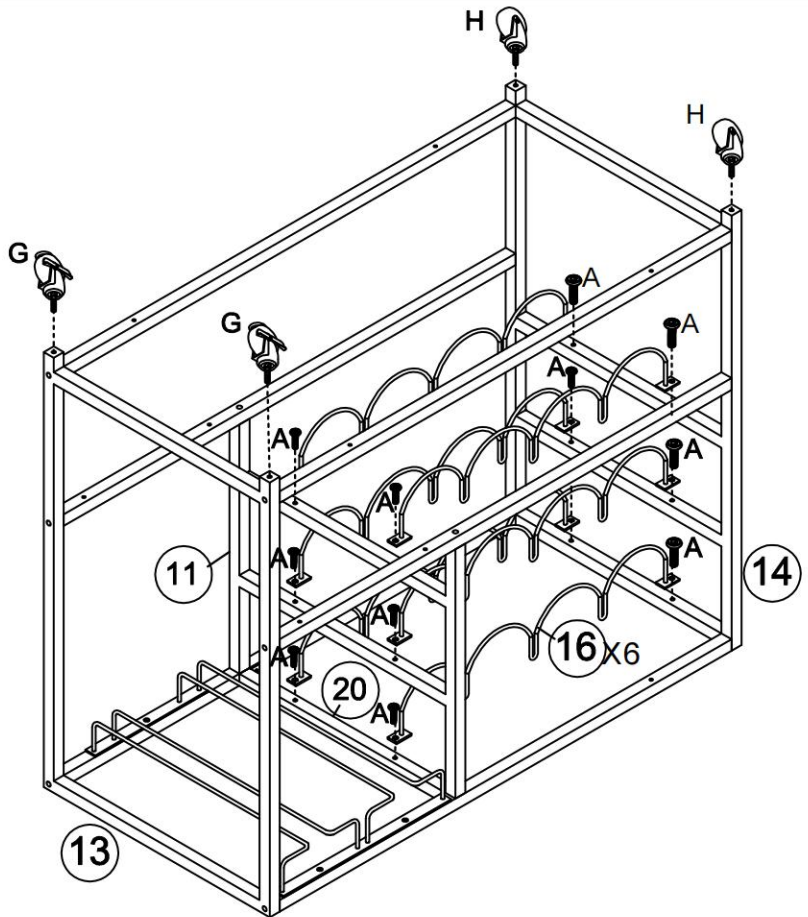
4






A	M6×12mm
	3PCS
I	
	1PC

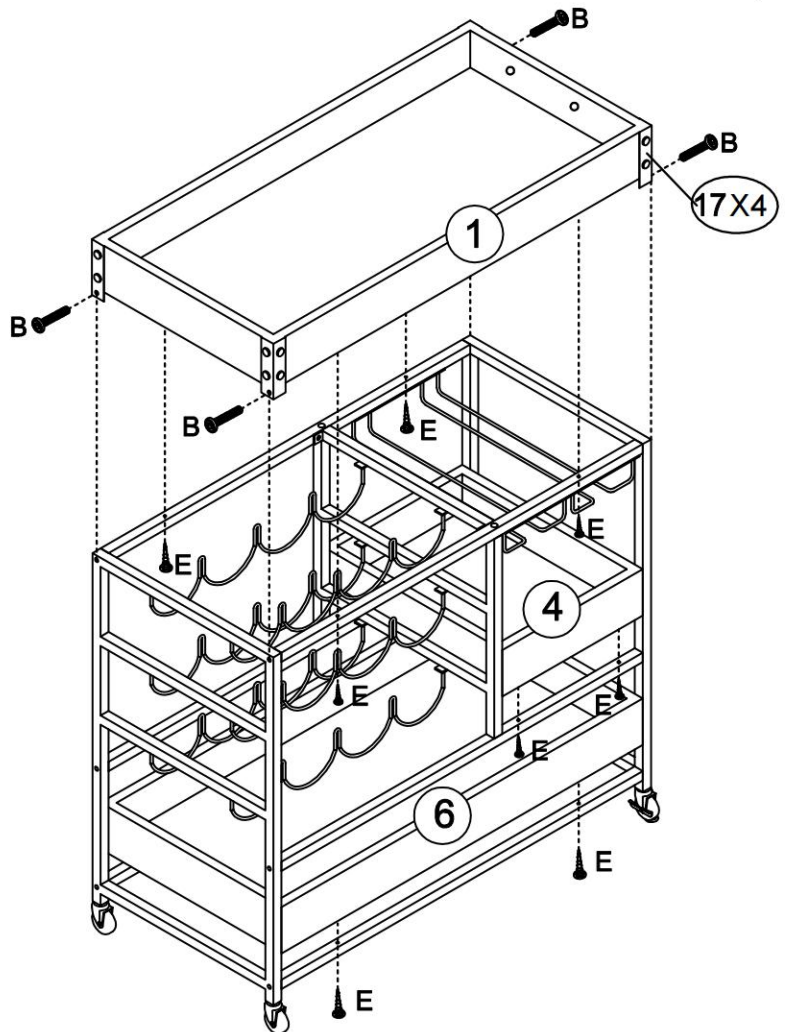
5

A	M6×12mm		12PCS
G			2PCS
H			2PCS
I			1PC

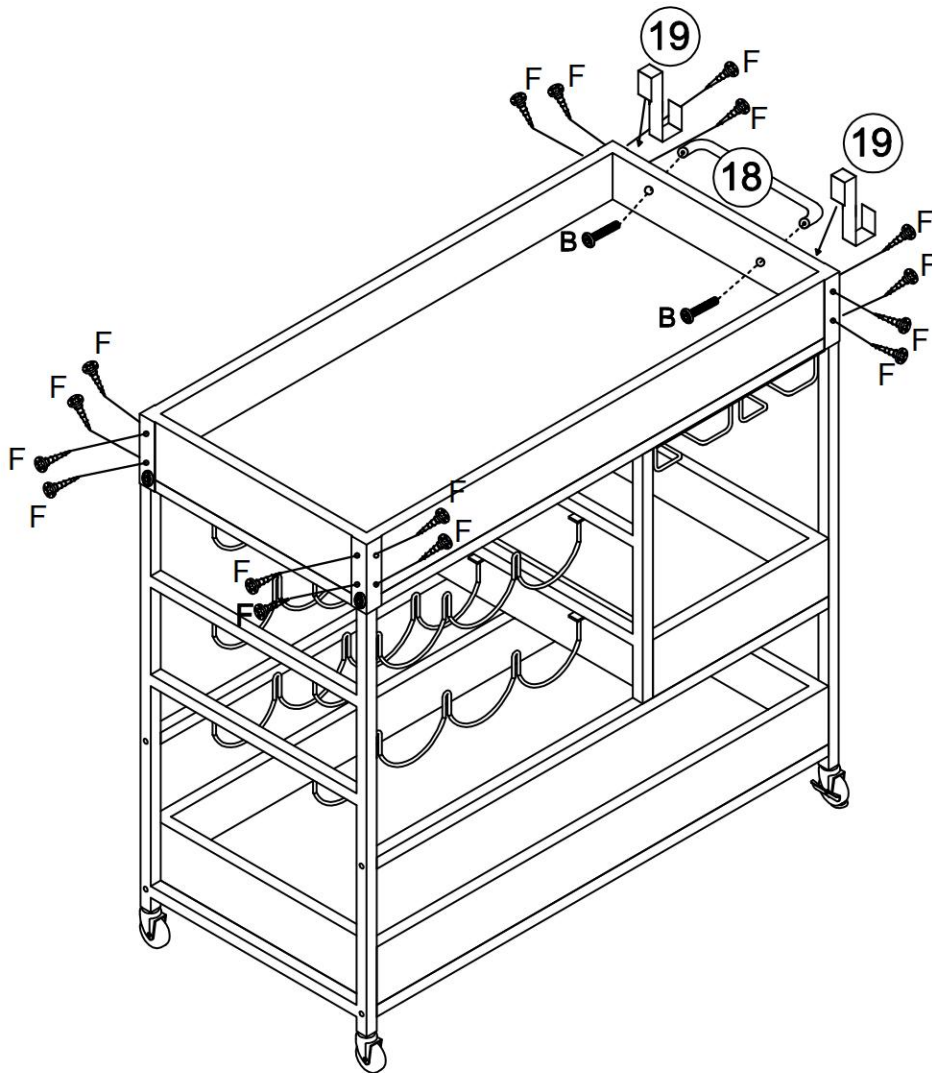





6

B	M6×35mm		4PCS
E	Ø4×25mm		12PCS
I			1PC



7



<p>F</p> <p>Ø4×14mm</p>  <p>16PCS</p>	<p>B</p> <p>M6×35mm</p>  <p>2 PCS</p>	<p>E</p>  <p>1PC</p>
---	---	--