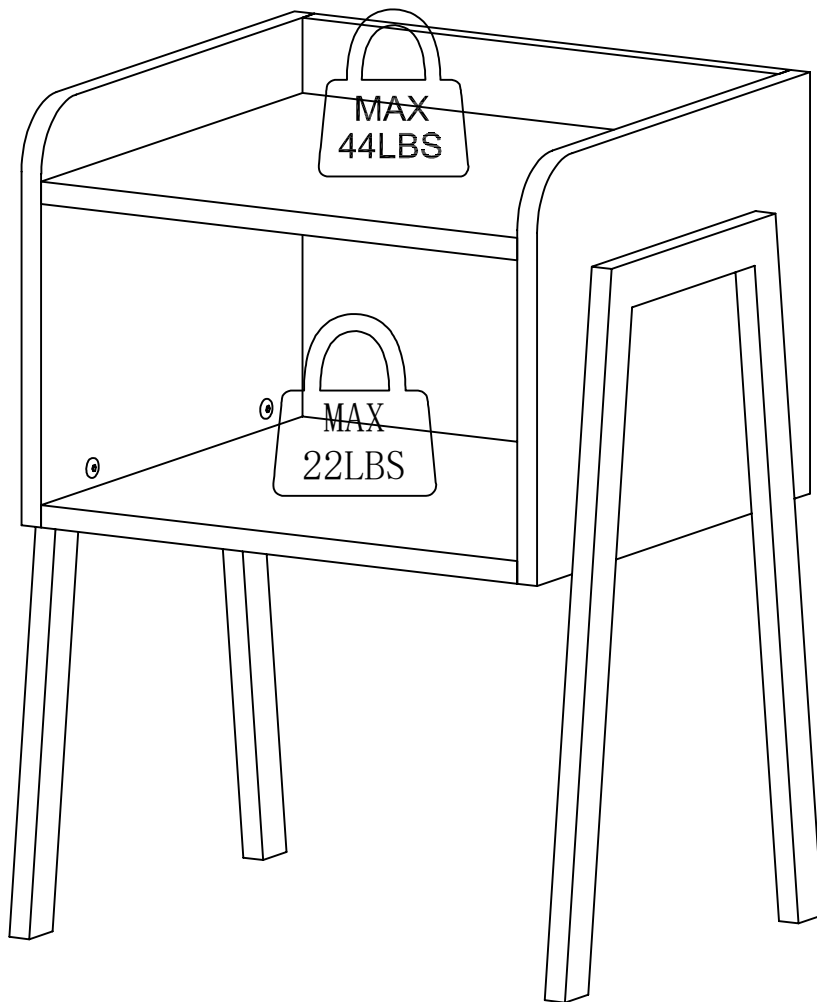
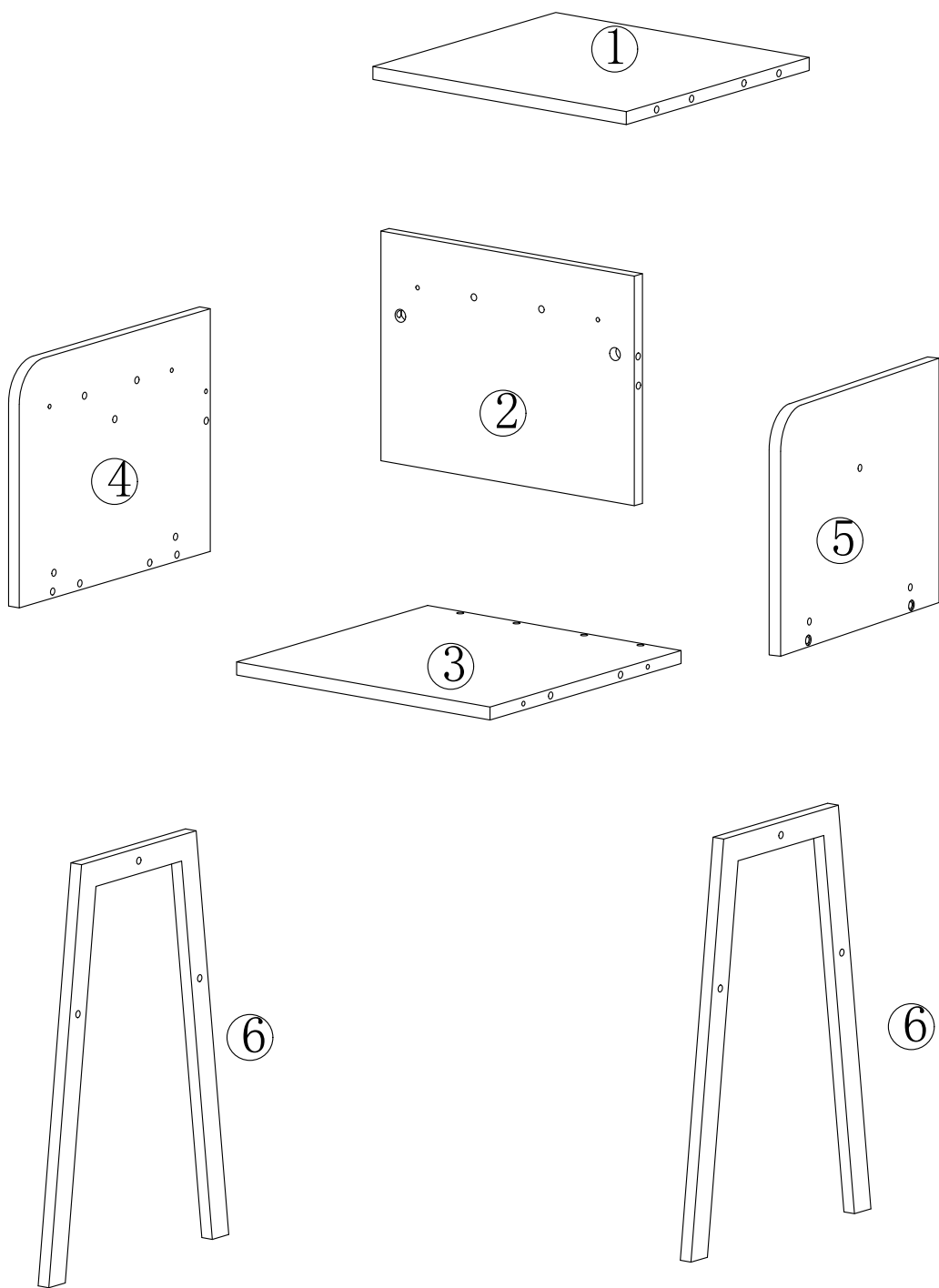


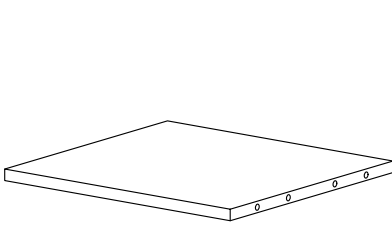
RT028 Assembly Instructions



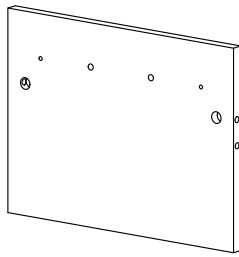
NOTE: Don't fully tighten the screws until the very end. Once you have fully assembled the cart, then proceed to completely tighten all the screws.



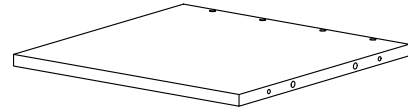
Parts & Hardware List



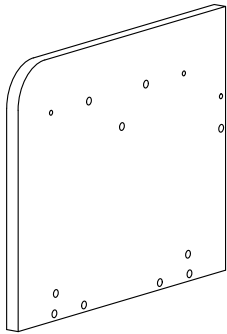
① 1PC



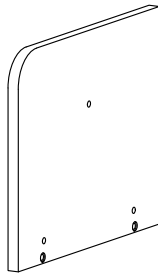
② 1PC



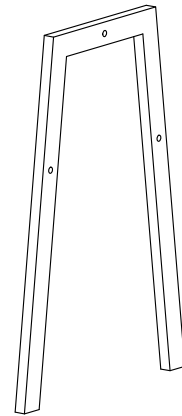
③ 1PC



④ 1PC

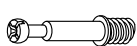


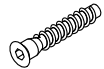





⑤ 1PC

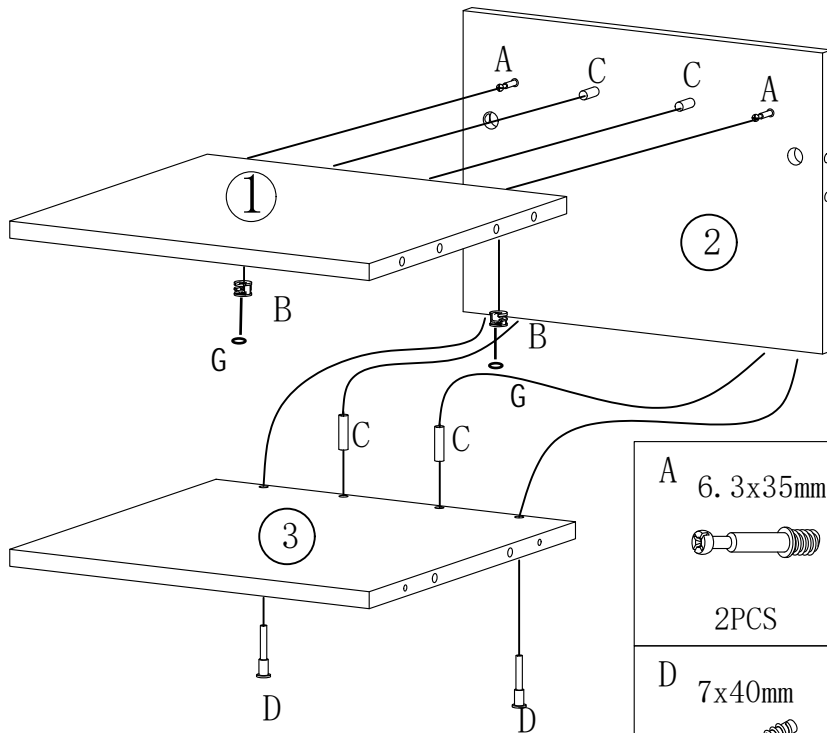


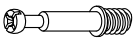


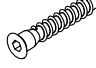


⑥ 2PCS

Hardware List

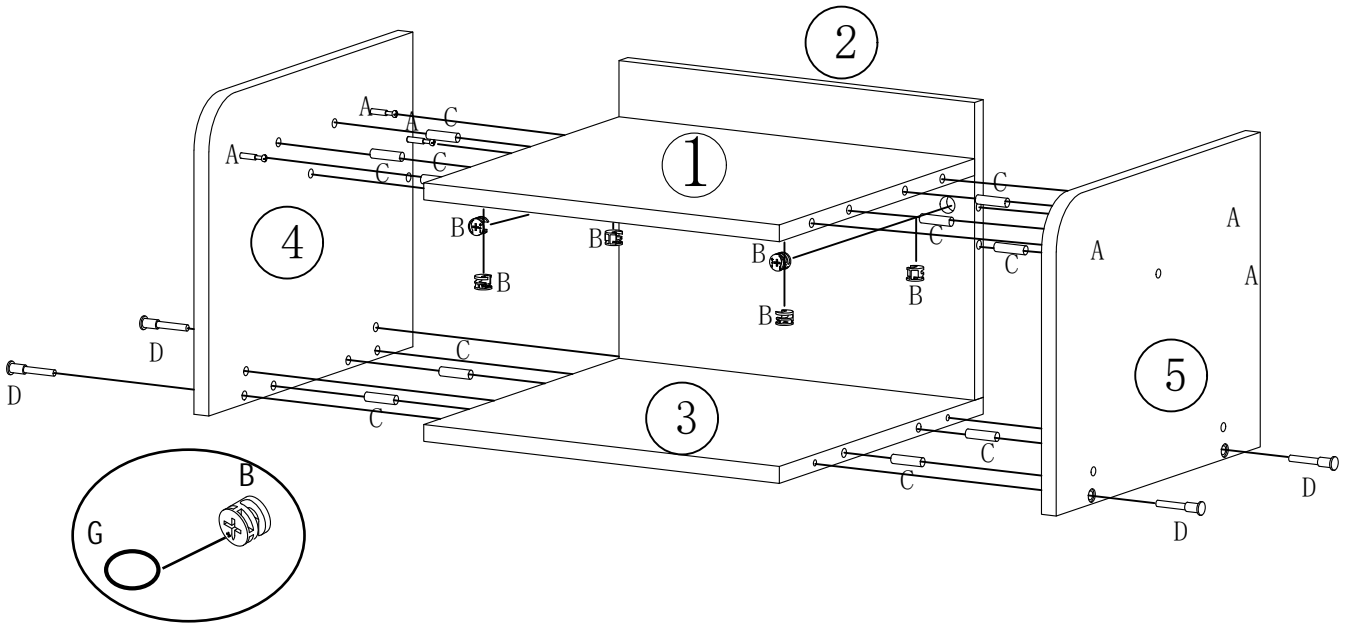
<p>A 6.3x35mm</p>  <p>8PCS</p>	<p>B ϕ15x12mm</p>  <p>8PCS</p>	<p>C ϕ8x30mm</p>  <p>20PCS</p>	<p>D 7x40mm</p>  <p>8PCS</p>
<p>E M6x25mm</p>  <p>16PCS</p>	<p>F 4mm</p>  <p>1PC</p>	<p>G</p>  <p>12PCS</p>	

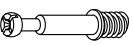


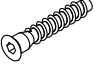


①



<p>A 6. 3x35mm</p>  <p>2PCS</p>	<p>B $\phi 15 \times 12 \text{mm}$</p>  <p>2PCS</p>	<p>C $\phi 8 \times 30 \text{mm}$</p>  <p>4PCS</p>
<p>D 7x40mm</p>  <p>2PCS</p>	<p>F 4mm</p>  <p>1PC</p>	<p>G</p>  <p>2PCS</p>

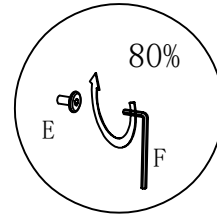
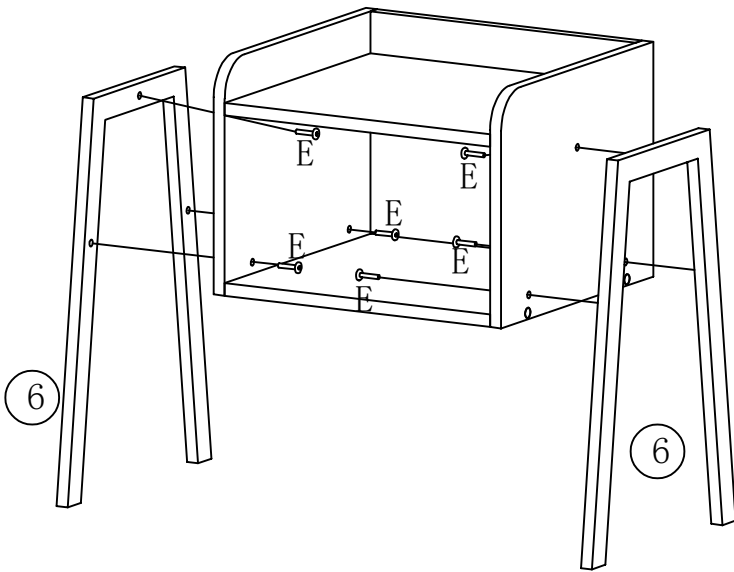
②




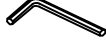
<p>A 6. 3x35mm</p>  <p>6PCS</p>	<p>B $\phi 15 \times 12 \text{mm}$</p>  <p>6PCS</p>	<p>C $\phi 8 \times 30 \text{mm}$</p>  <p>10PCS</p>	<p>D 7x40mm</p>  <p>4PCS</p>	<p>F 4mm</p>  <p>1PC</p>	<p>G</p>  <p>6PCS</p>
--	---	---	---	---	--

40F5

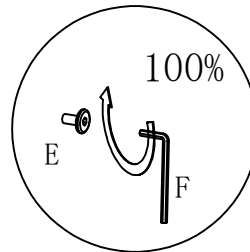
3



*Only tighten 80%

E M6x25mm  6PCS	F 4mm  1PC
---	--

4



*ALL screws tighten fully.100%

