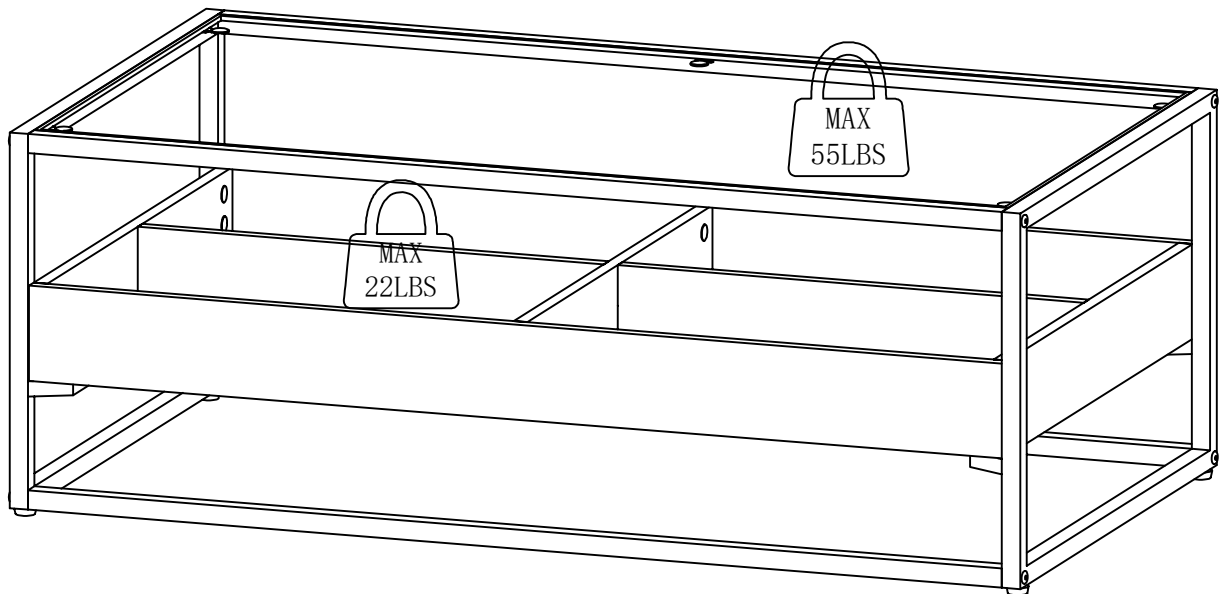
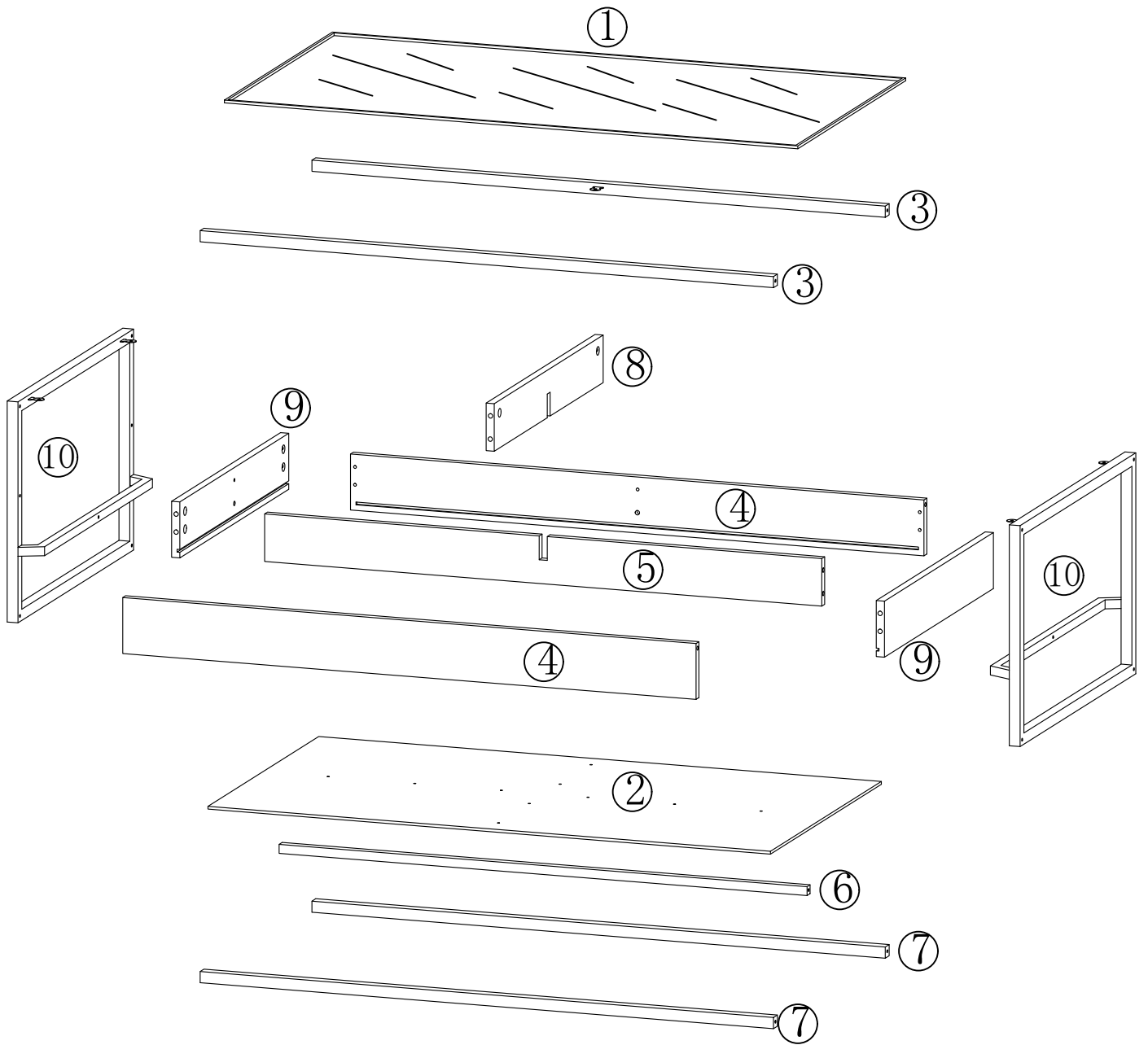


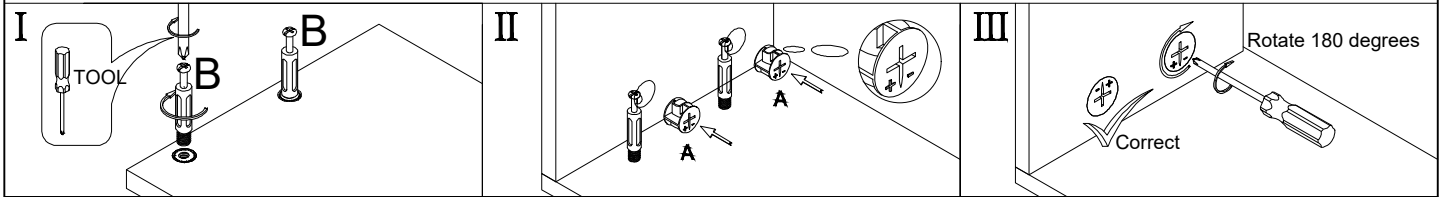
RT056GOK Assembly Instructions



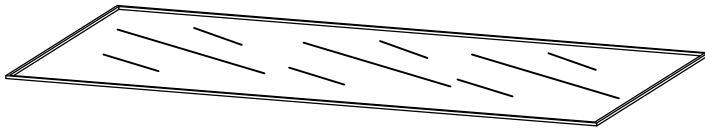
NOTE: Don't fully tighten the screws until the very end .Once you have fully assembled the cart, then proceed to completely tighten all the screws.



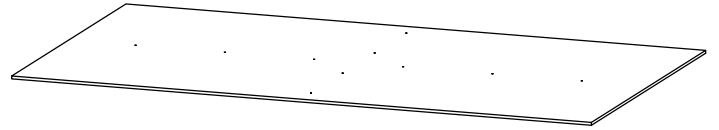
Disassembly and installation of accessories



Parts & Hardware List



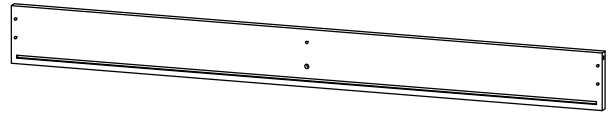
① 1PC



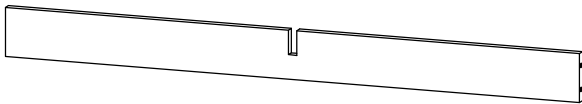
② 1PC



③ 2PCS



④ 2PCS



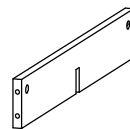
⑤ 1PC



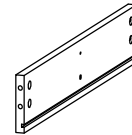
⑥ 2PCS



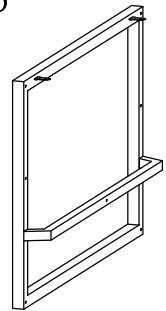
⑦ 2PCS



⑧ 1PC


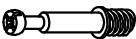










⑨ 2PCS

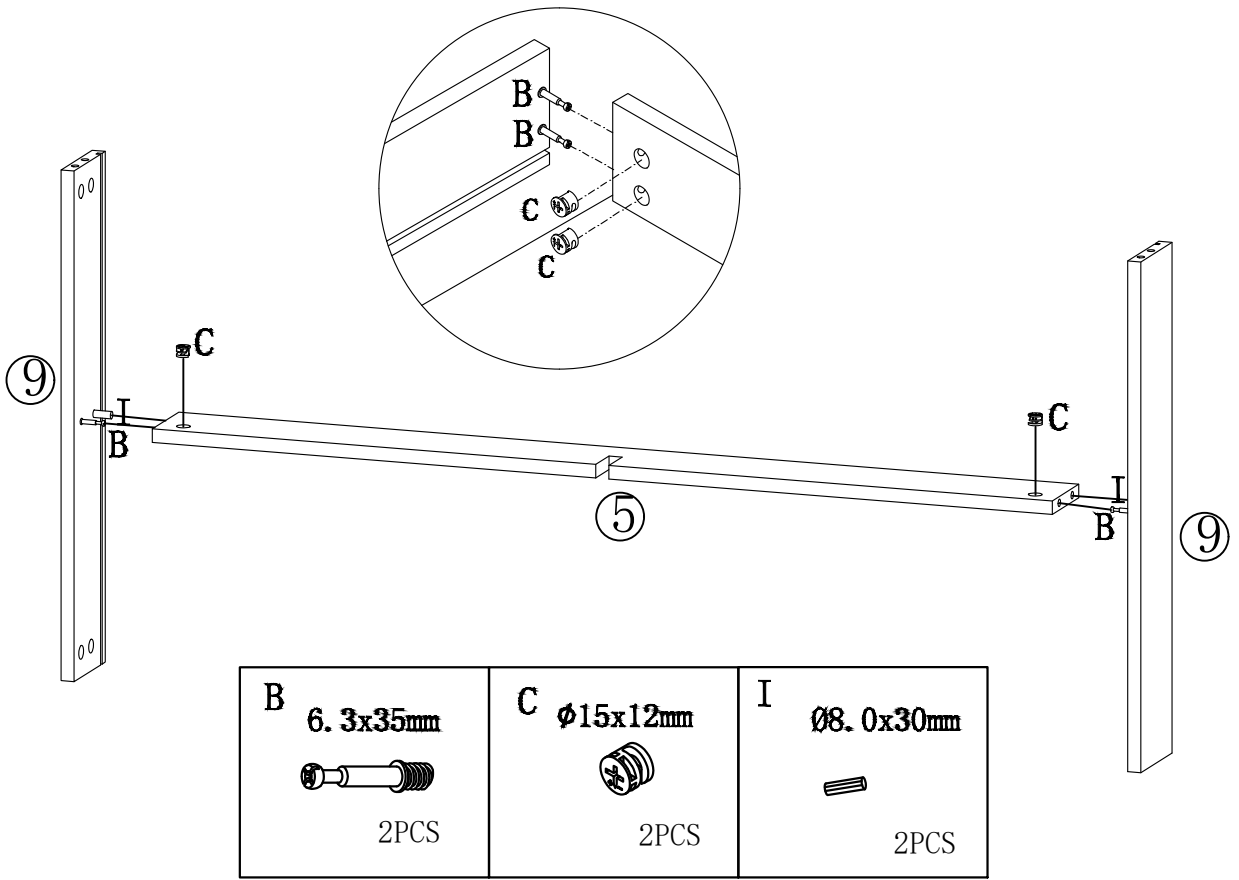


⑩ 2PCS

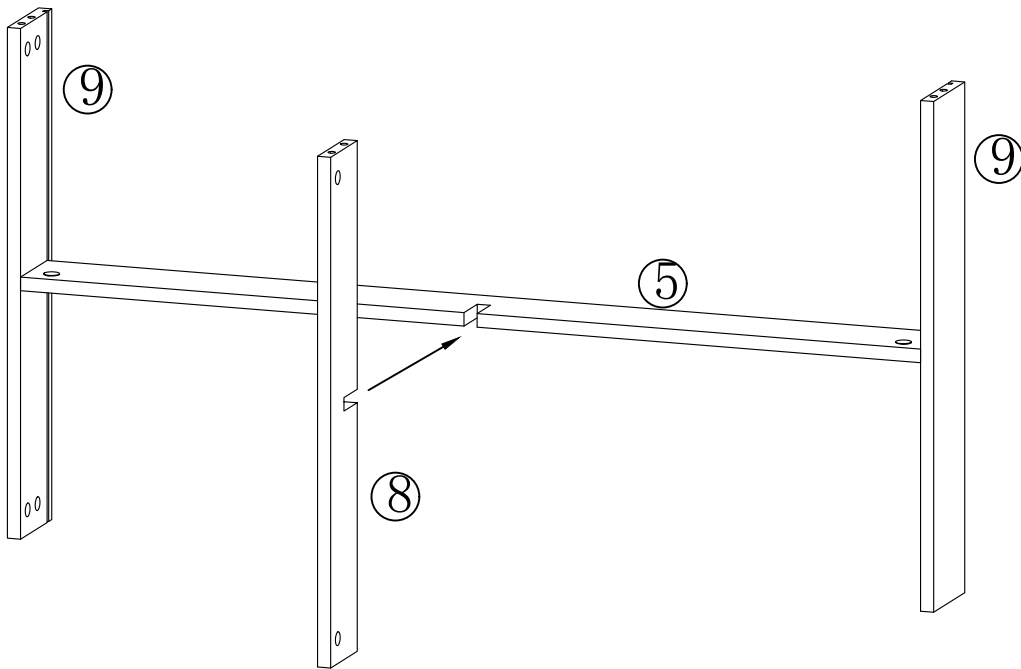
Hardware List

<p>A M6x40mm</p>  <p>10PCS</p>	<p>B 6.3x35mm</p>  <p>12PCS</p>	<p>C $\phi 15 \times 12 \text{mm}$</p>  <p>12PCS</p>	<p>D $\phi 4 \times 16 \text{mm}$</p>  <p>10PCS</p>	<p>E</p>  <p>6PCS</p>
<p>F M5x12mm</p>  <p>4PCS</p>	<p>G $\phi 22 \times M6 \times 15 \text{mm}$</p>  <p>4PCS</p>	<p>H 4mm</p>  <p>1PC</p>	<p>I $\phi 8.0 \times 30 \text{mm}$</p>  <p>4PCS</p>	<p>J</p>  <p>12PCS</p>

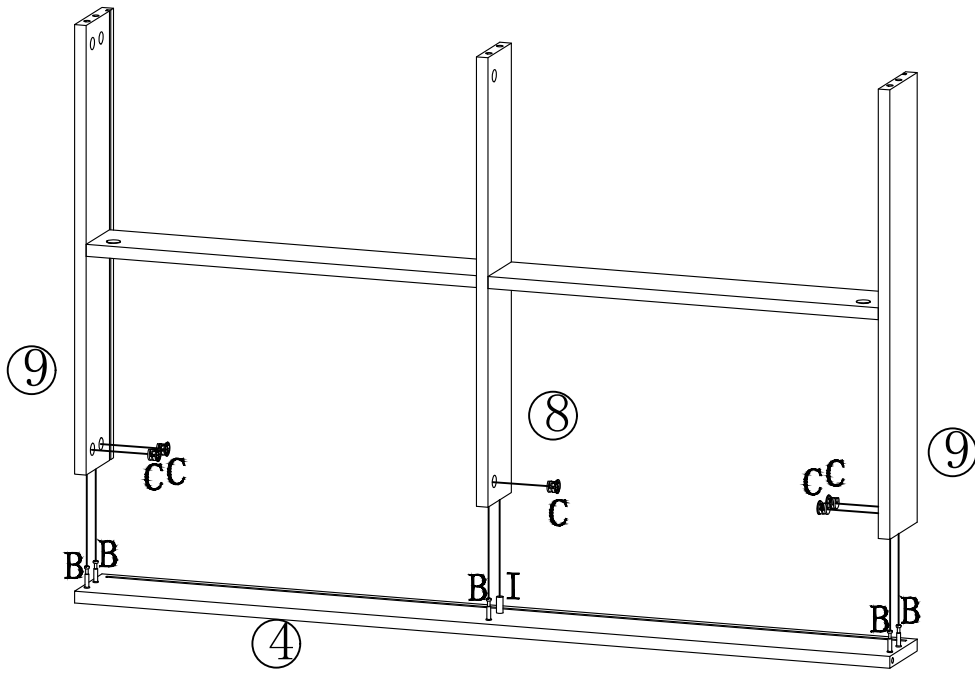
①

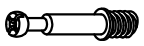




②

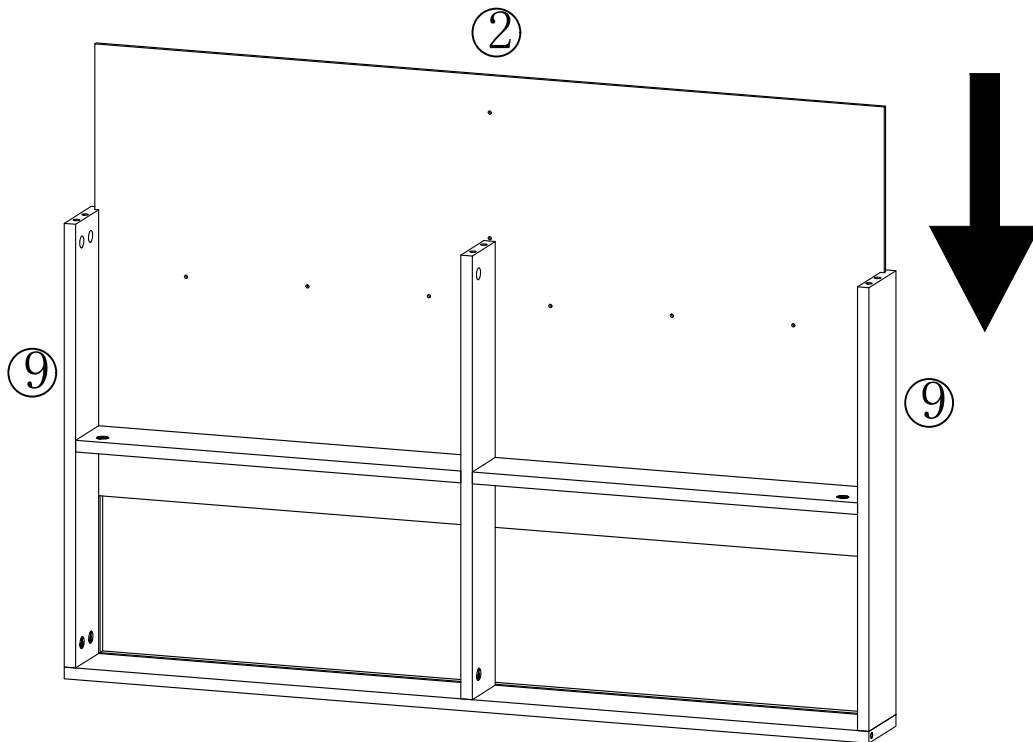


③

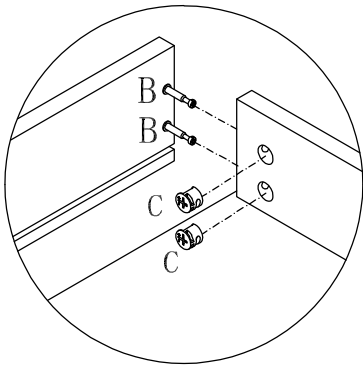
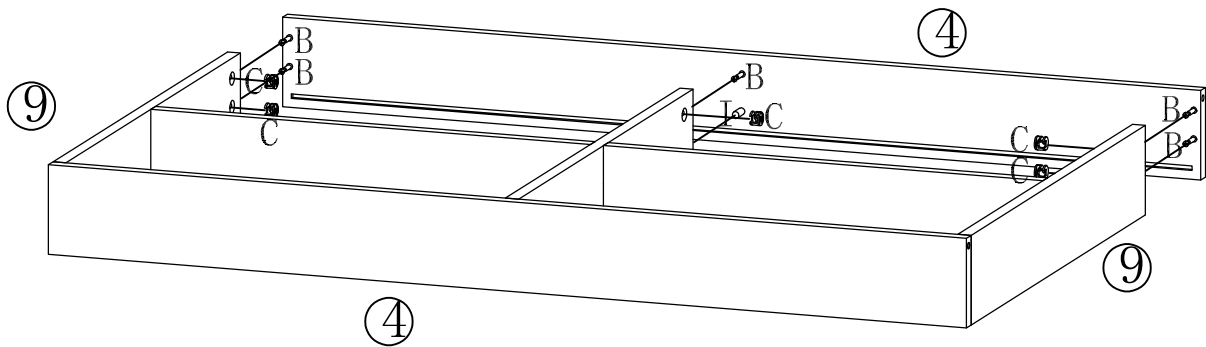


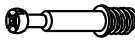


B 6. 3x35mm  5PCS	C φ15x12mm  5PCS	I Ø8.0x30mm  1PCS
--	---	--

④

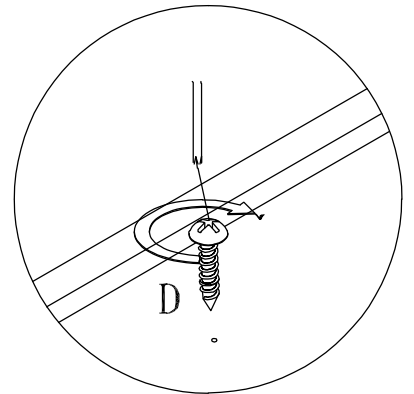
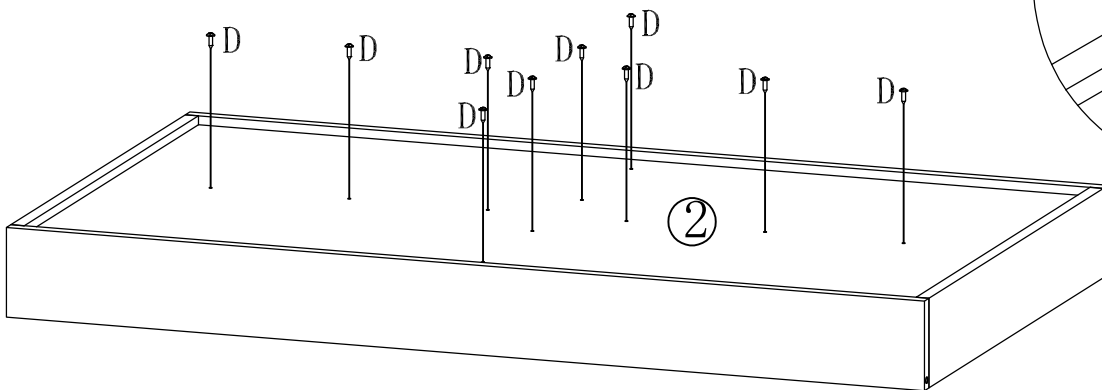



⑤



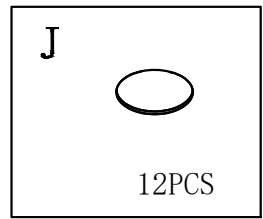
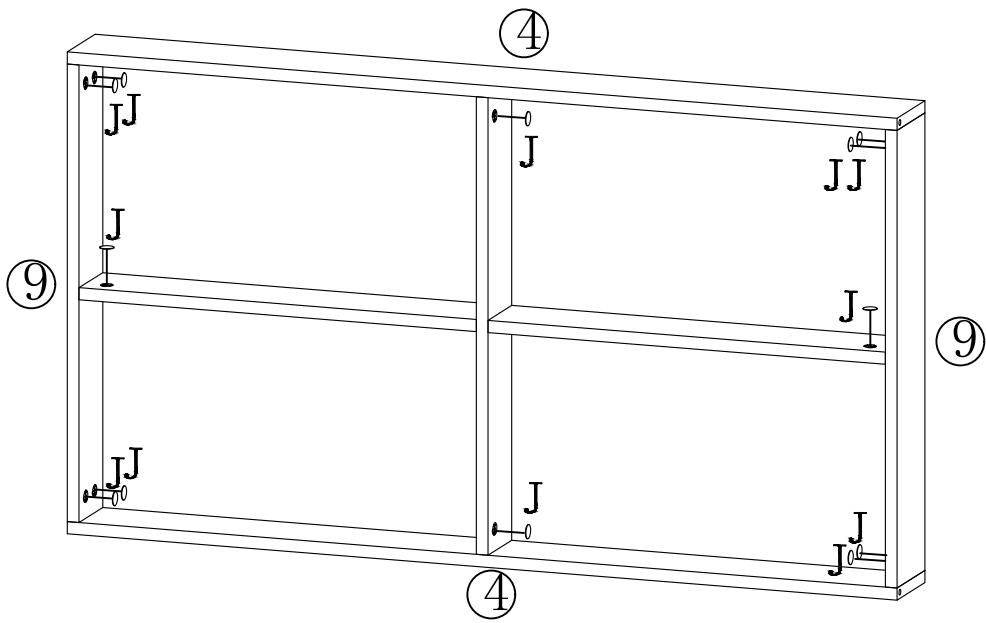
B 6.3x35mm  5PCS	C φ15x12mm  5PCS	I Ø8.0x30mm  1PCS
--	--	---

⑥

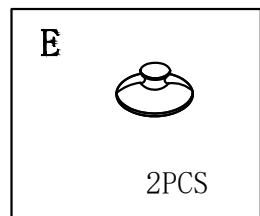
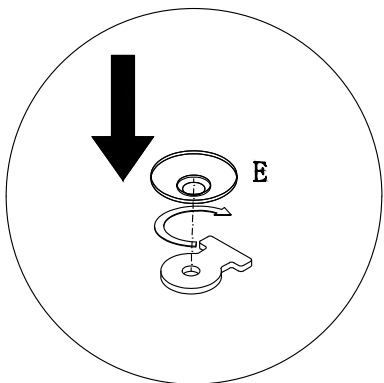
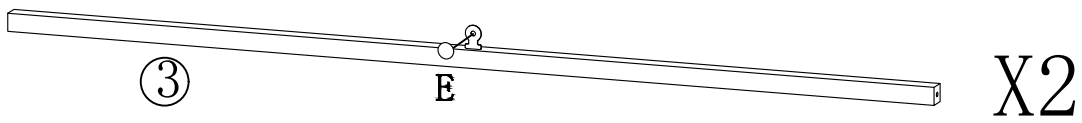


D φ4x16mm  10PCS
--

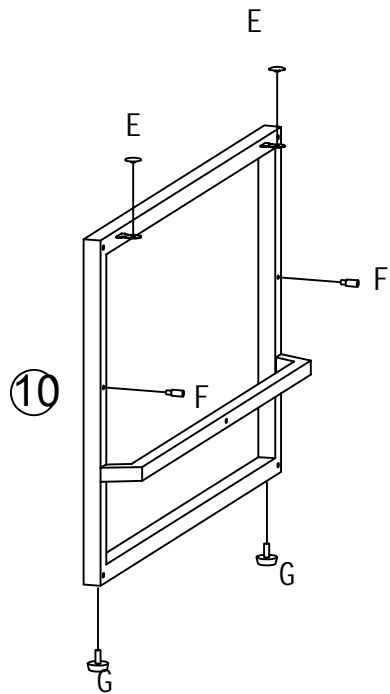
7



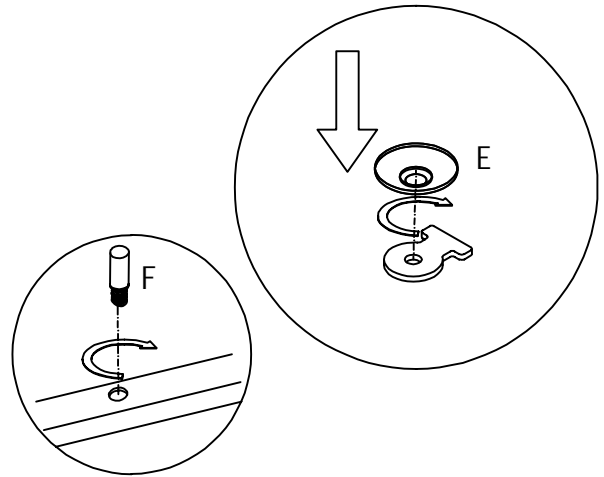
8


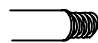



9

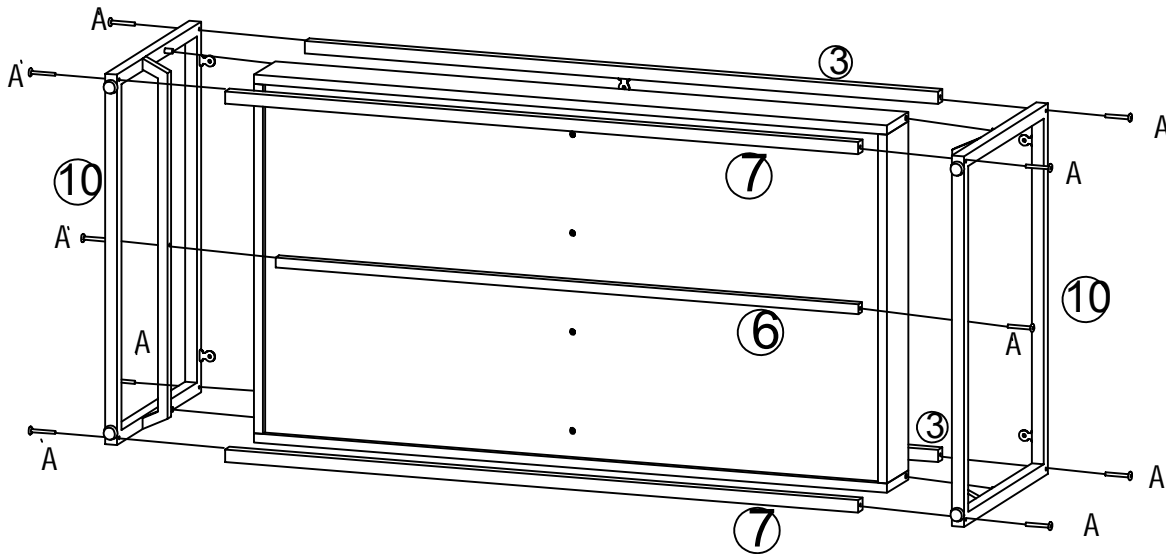




X2

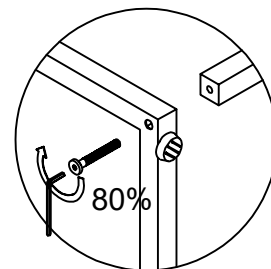


E	F M5x12mm	G 22xM6x15mm
		
4PCS	4PCS	4PCS

10

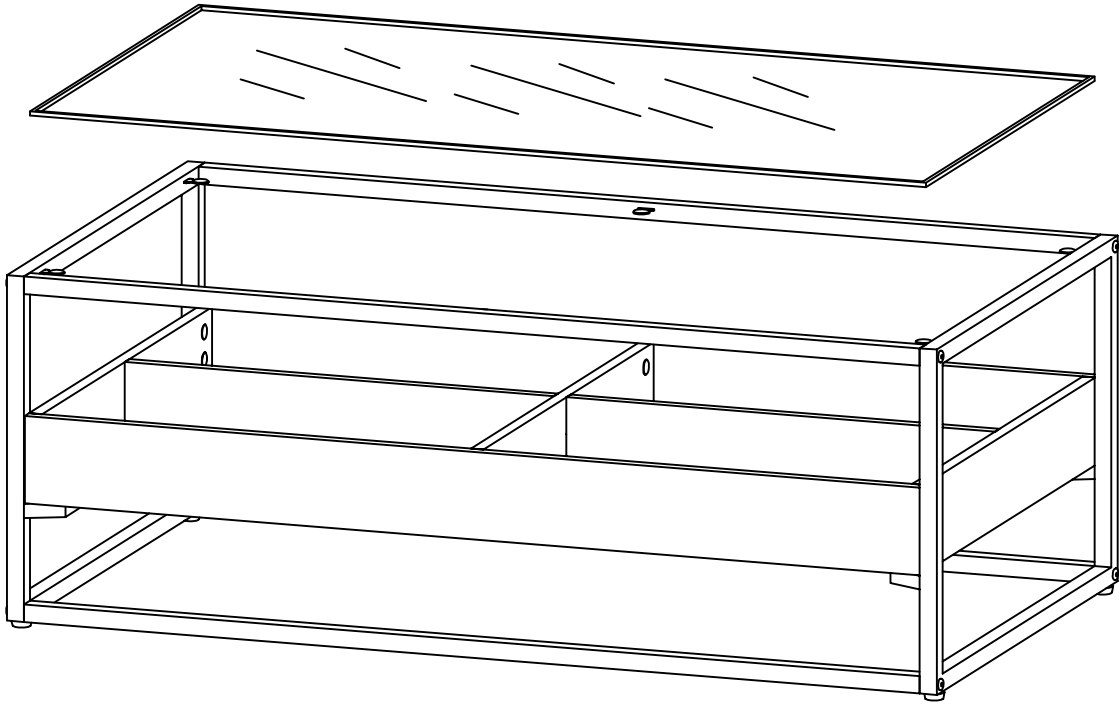


A M6x40mm	H 4mm
	
10PCS	1PCS

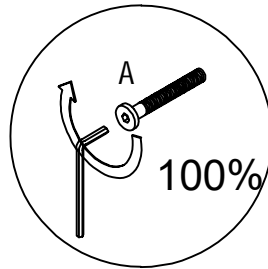


*Only tighten 80%

11



12



*ALL screws tighten fully.100%

