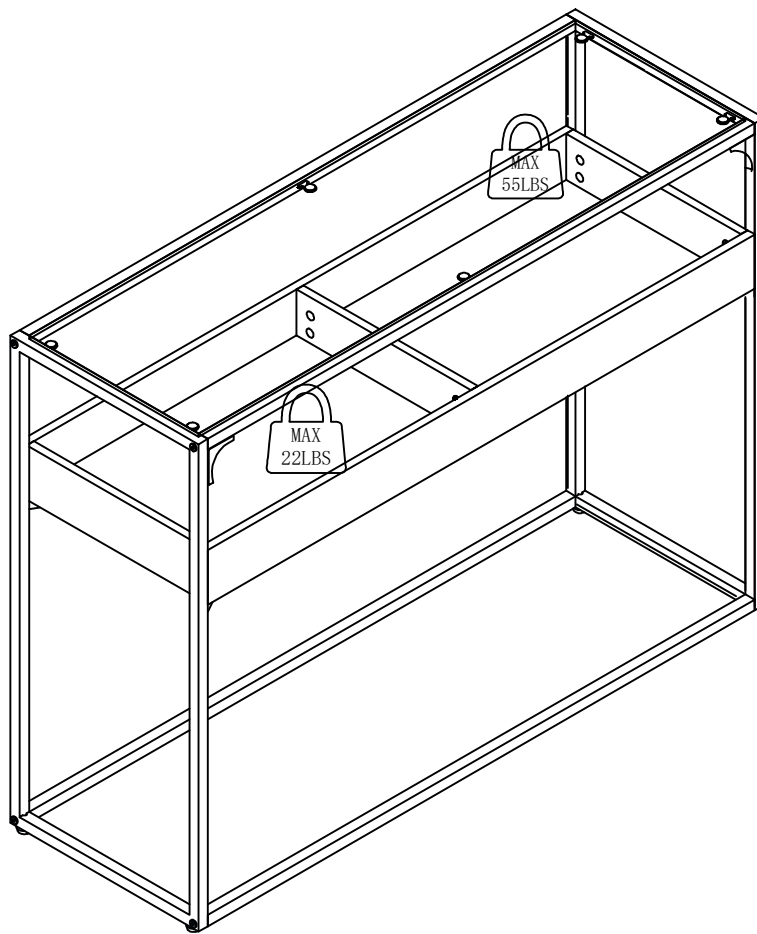
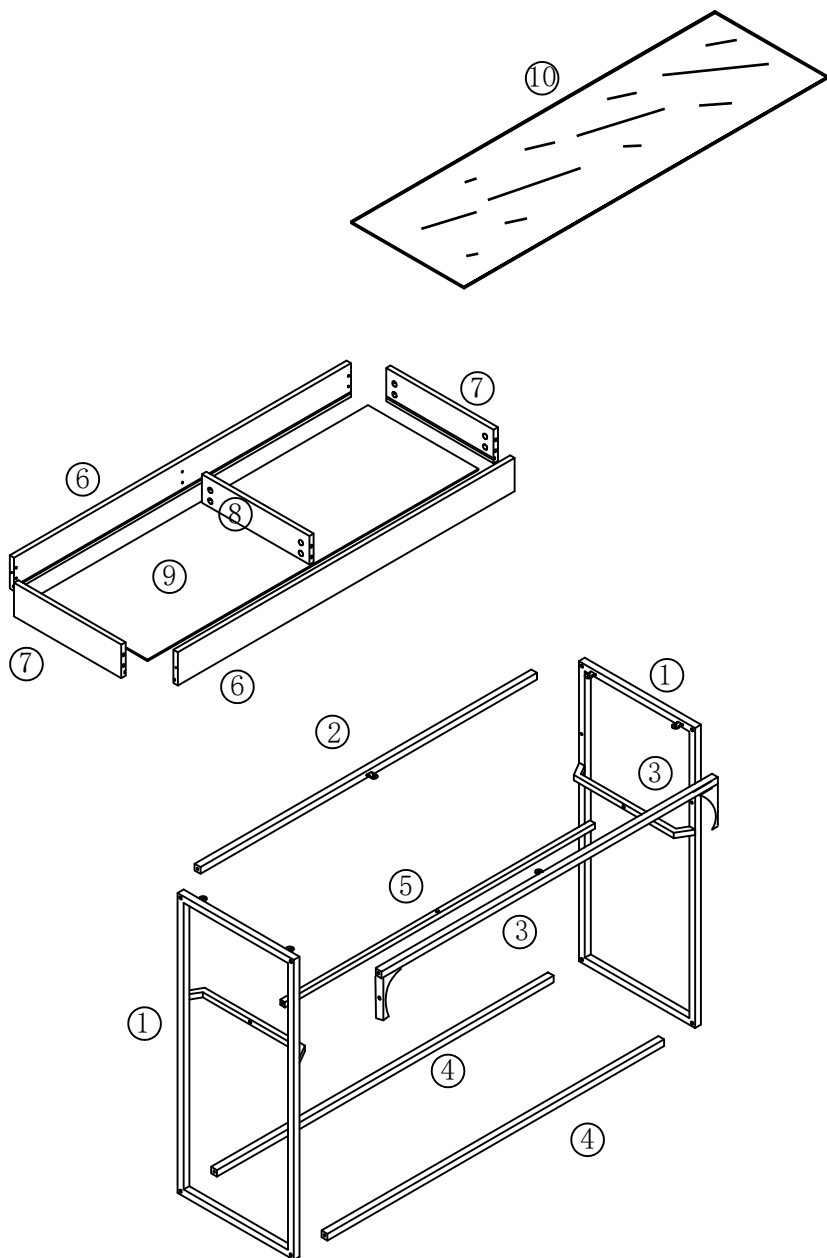

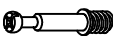



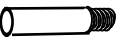







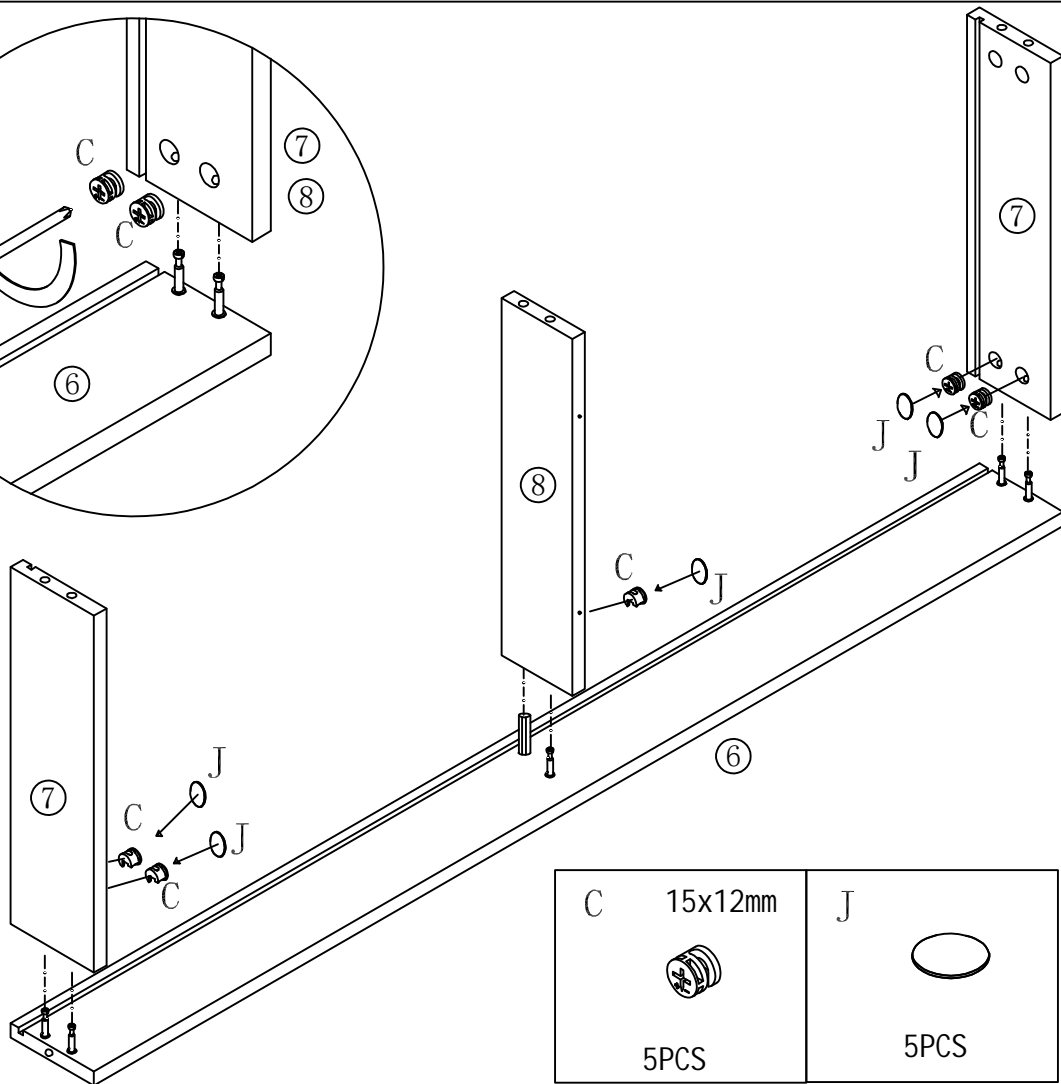
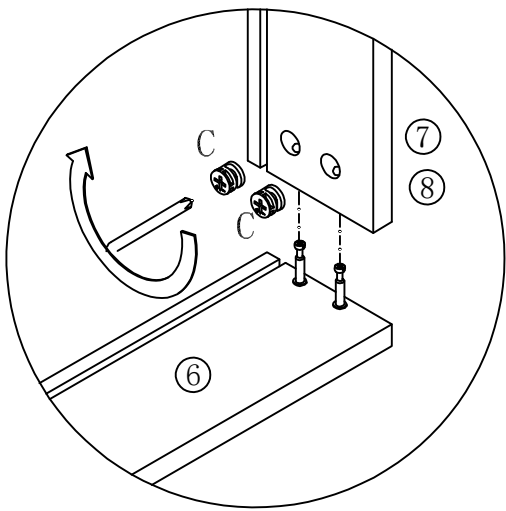
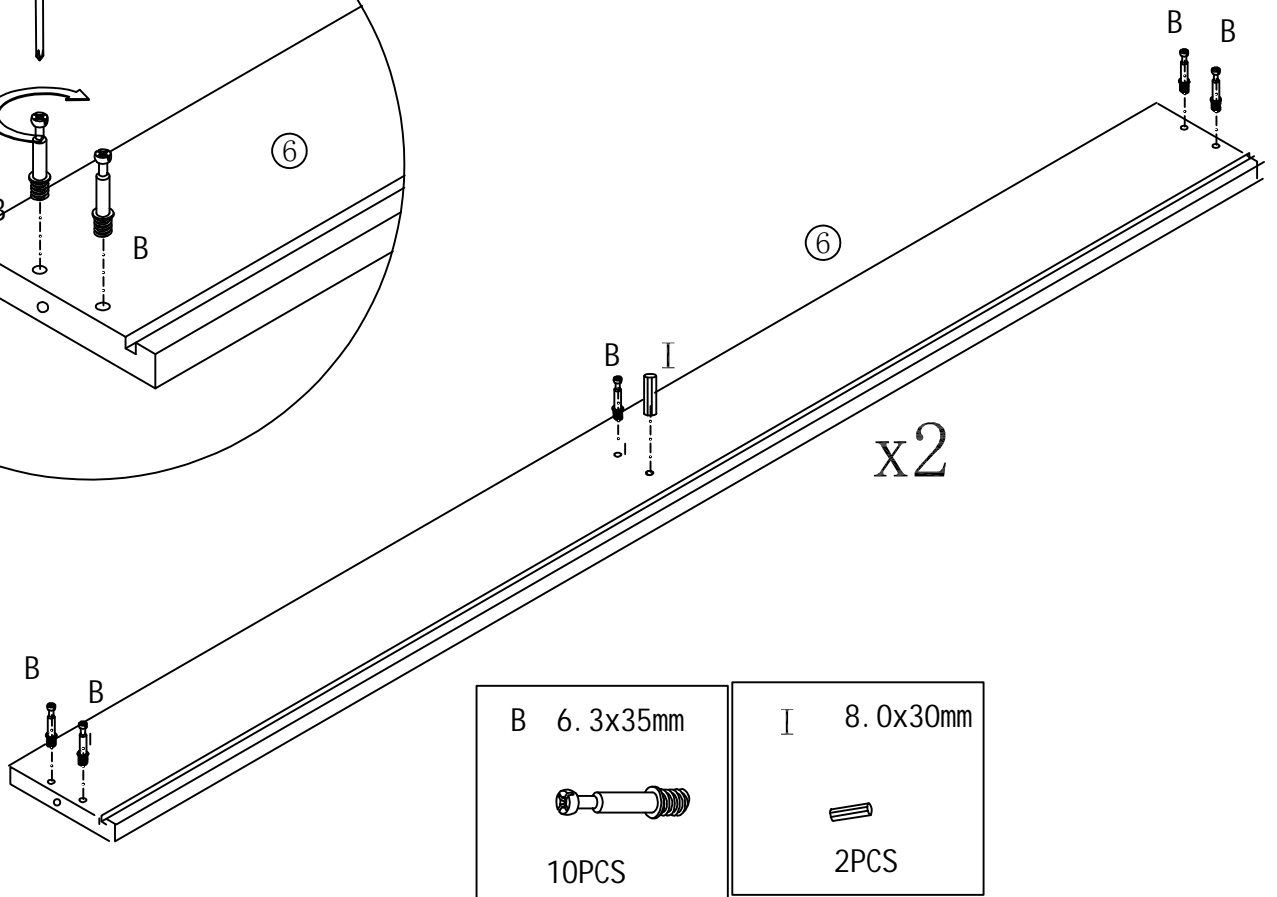
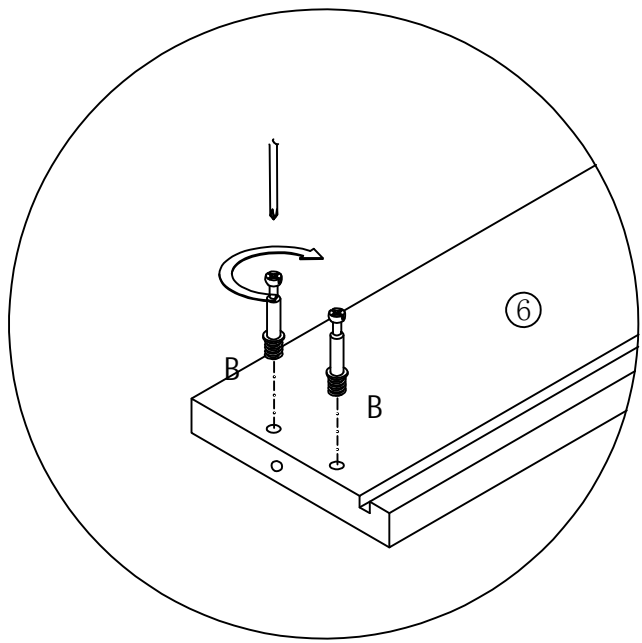
RT151GOK Assembly Instructions

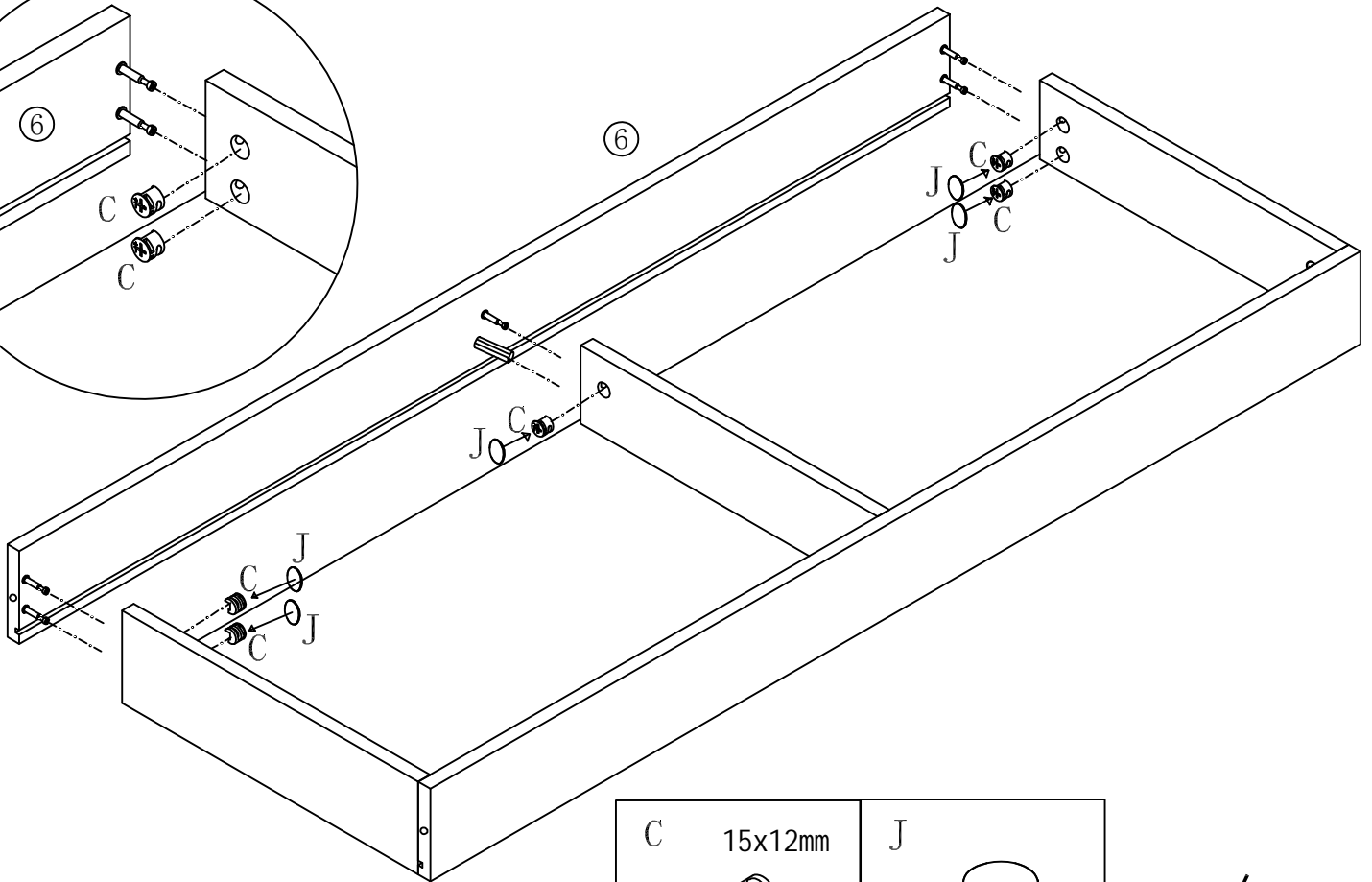
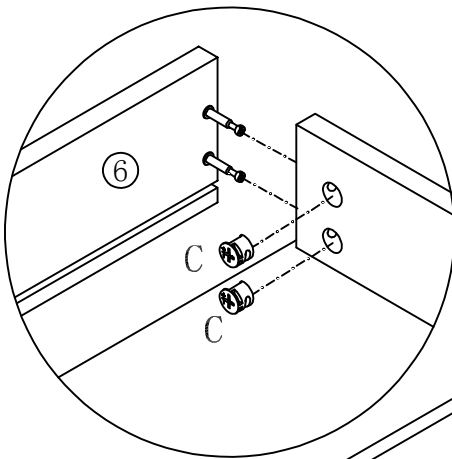
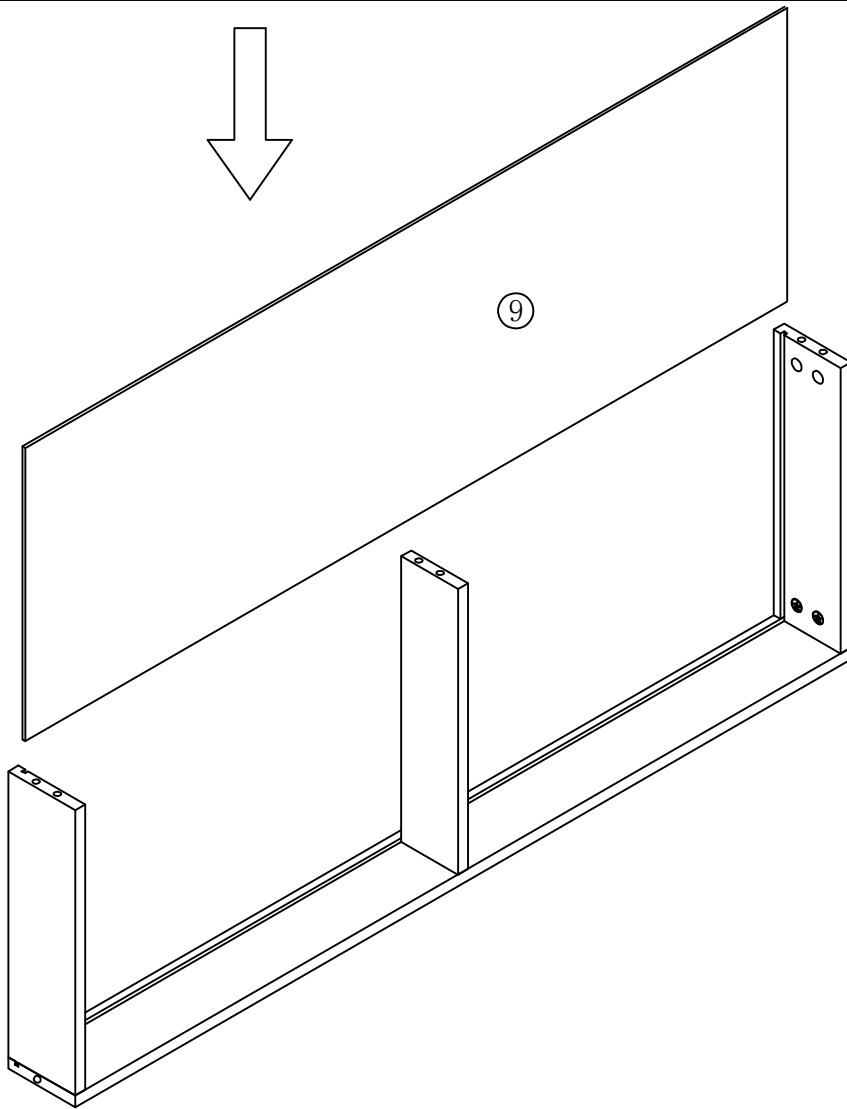




NOTE: Don't fully tighten the screws until the very end. Once you have fully assembled the cart, then proceed to completely tighten all the screws.

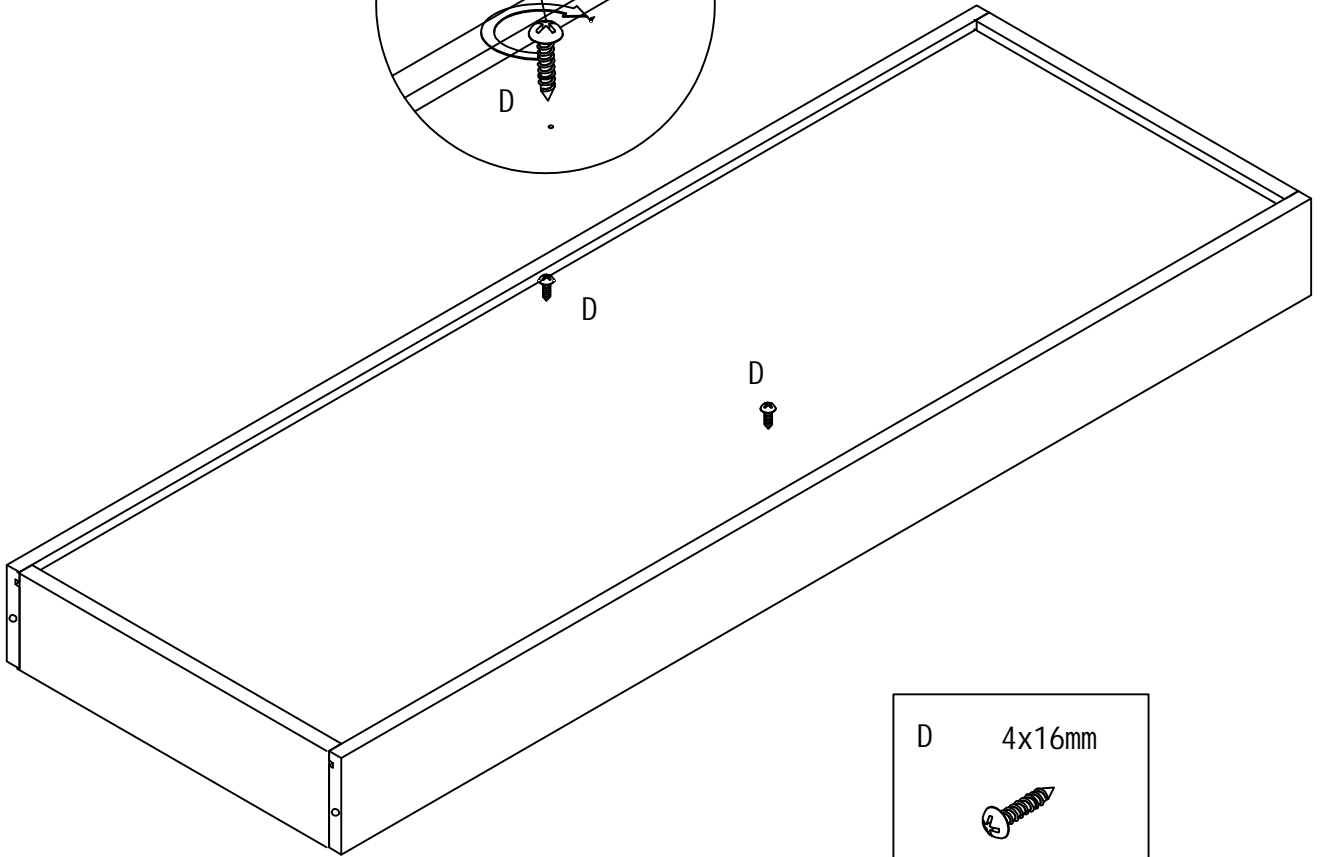
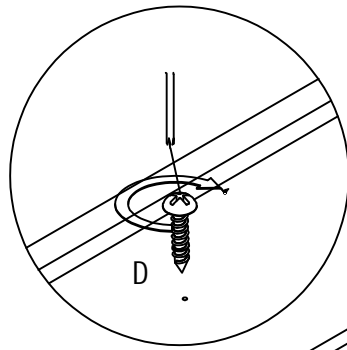


| | | | | | |
|---|---|---|---|---|--|
| <p>A M6x40mm</p>  <p>10PCS</p> | <p>B 6.3x25mm</p>  <p>10PCS</p> | <p>C 15x12mm</p>  <p>10PCS</p> | <p>D 4x16mm</p>  <p>2PCS</p> | <p>E</p>  <p>6PCS</p> | |
| <p>F M5x12mm</p>  <p>4PCS</p> | <p>G 22xM6x15mm</p>  <p>4PCS</p> | <p>H 4mm</p>  <p>1PCS</p> | <p>I 8.0x30mm</p>  <p>2PCS</p> | <p>J</p>  <p>10PCS</p> | <p>K M6x12mm</p>  <p>2PCS</p> |

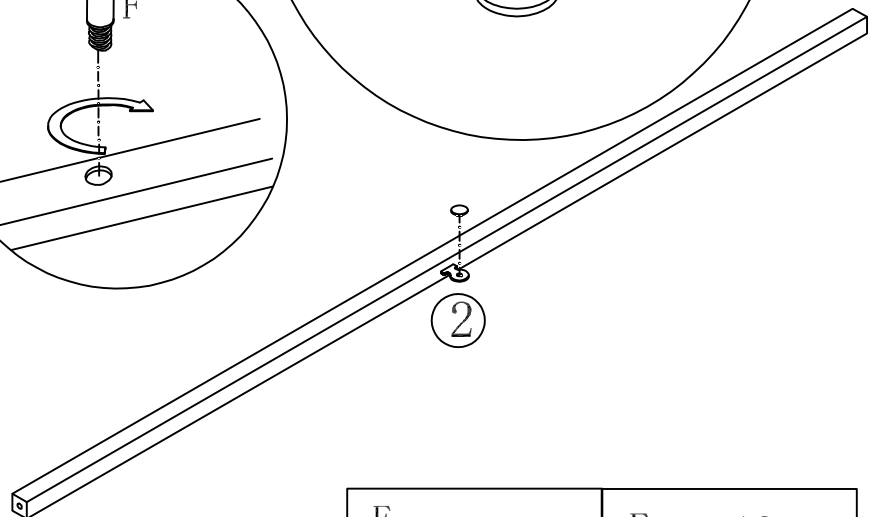
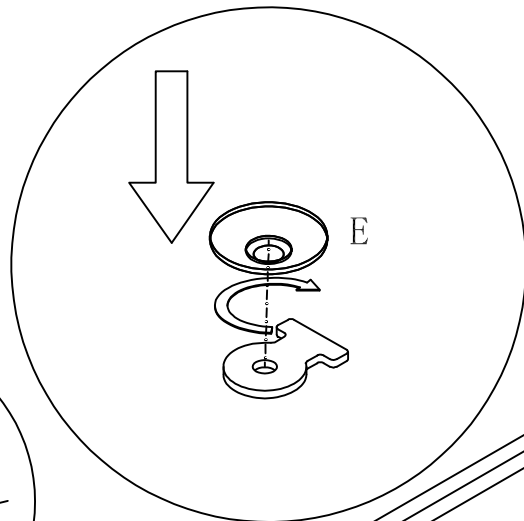
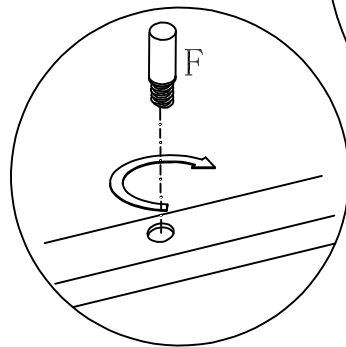
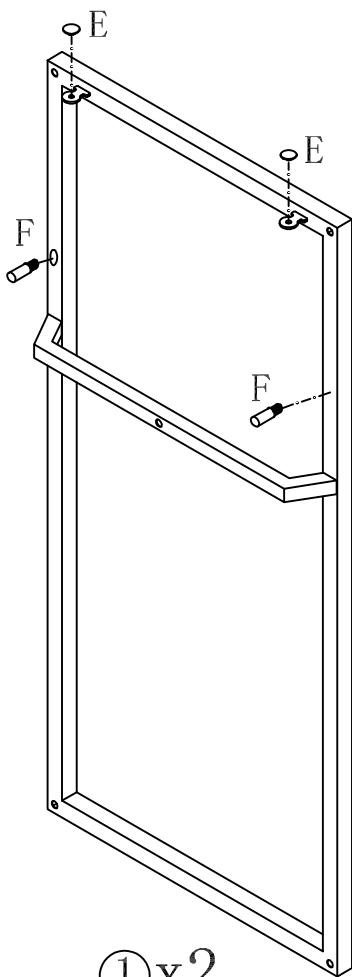




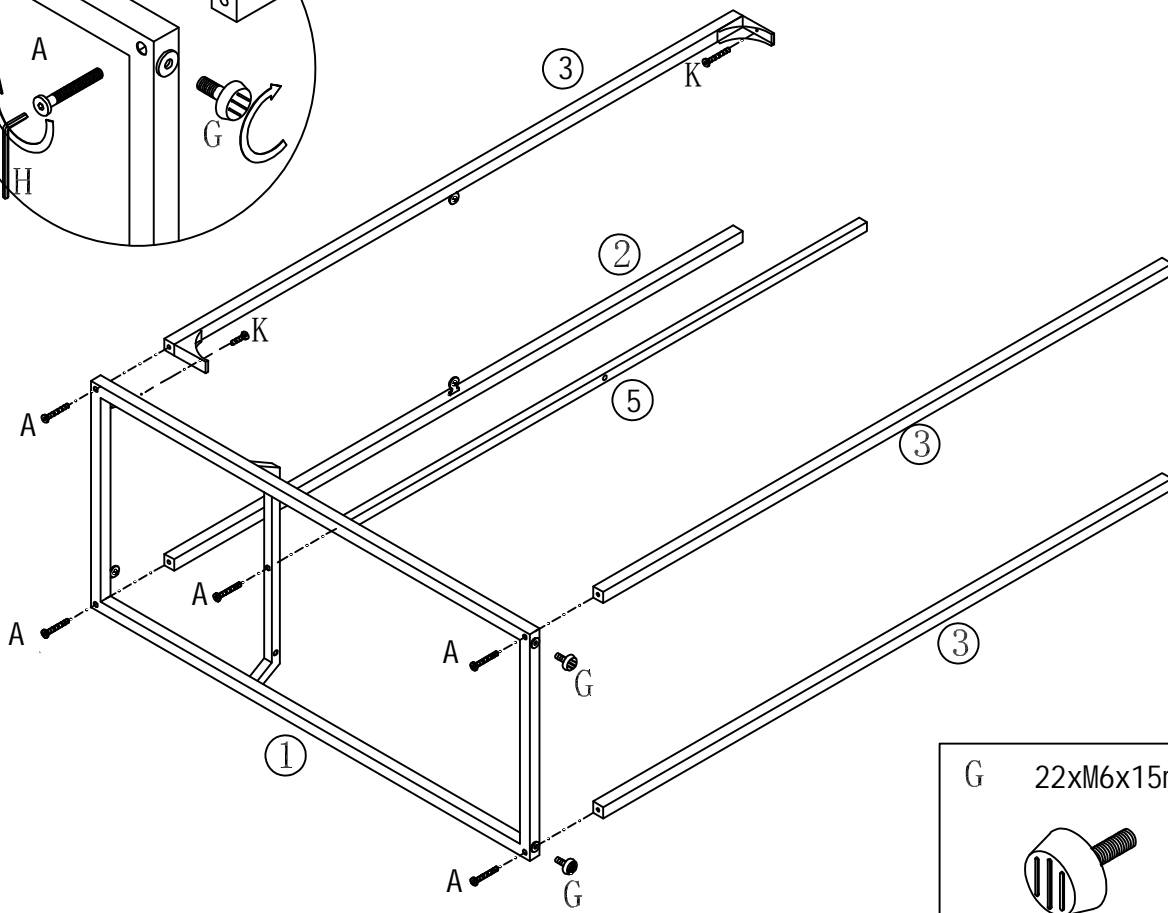
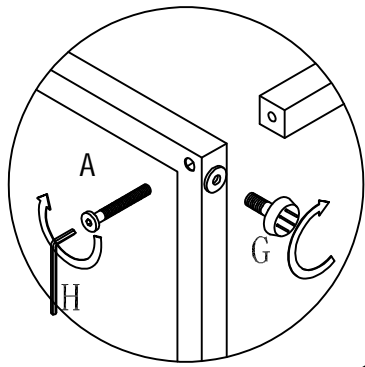
| | |
|---|--|
| <p>C</p> <p>15x12mm</p>  <p>5PCS</p> | <p>J</p>  <p>5PCS</p> |
|---|--|



| | |
|------|--------|
| D | 4x16mm |
| | |
| 2PCS | |



| | |
|------|-----------|
| E | F M5x12mm |
| | |
| 6PCS | 4PCS |



K M6x12mm



2PCS

A M6x40mm



5PCS

G 22xM6x15mm

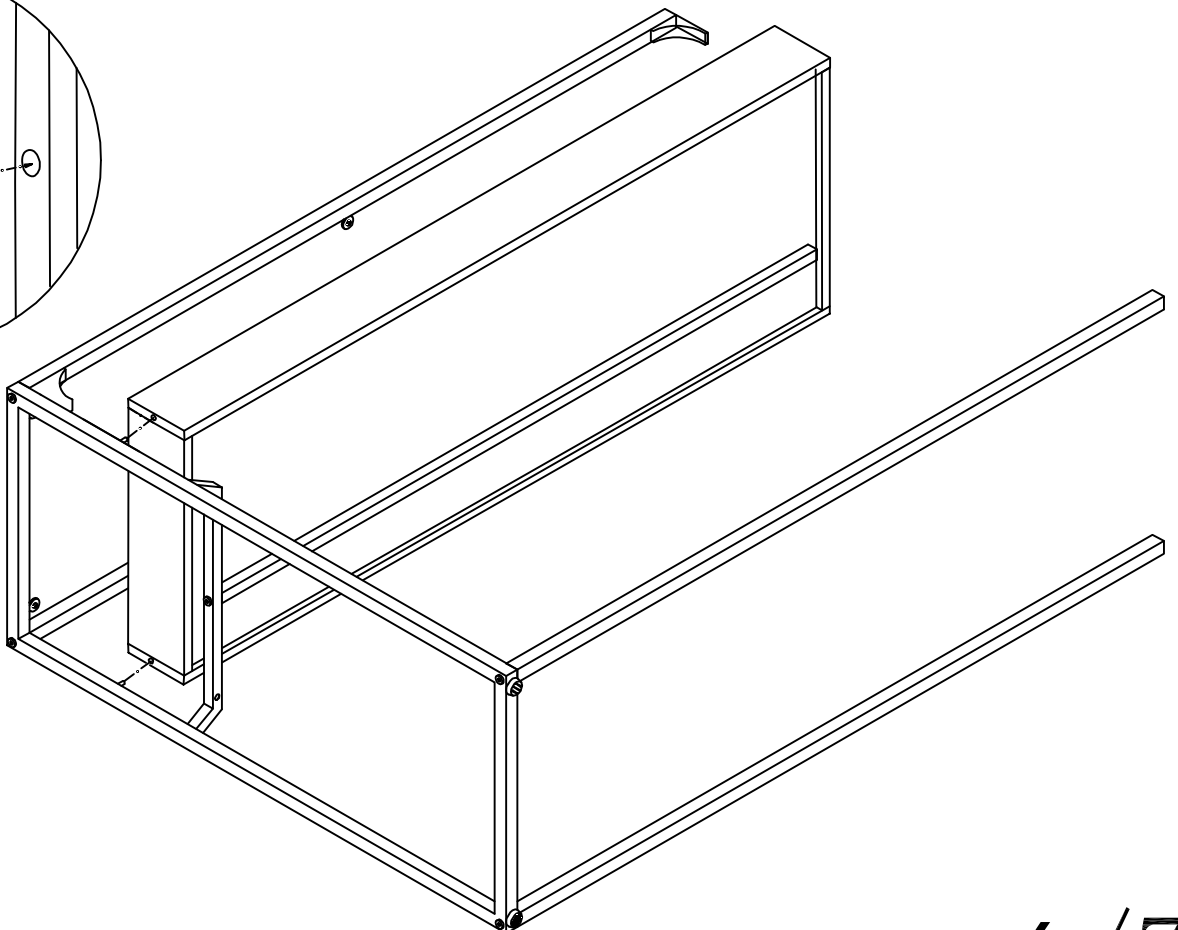
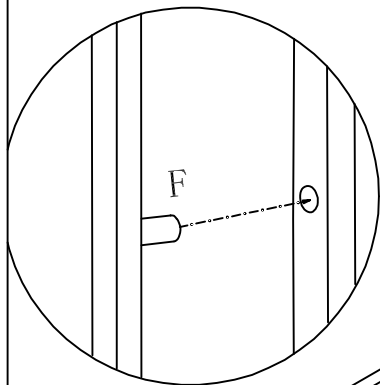


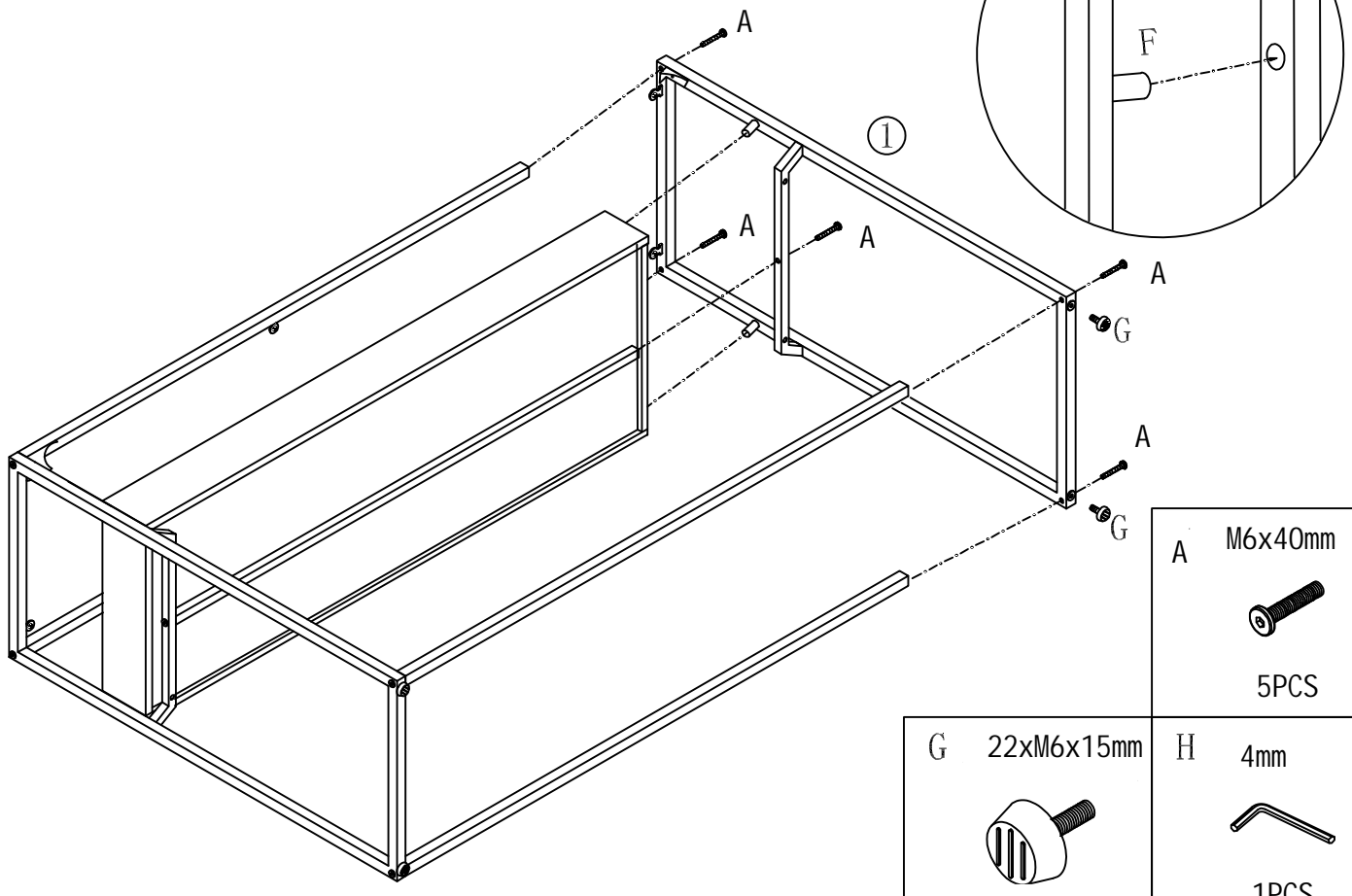
2PCS




H 4mm



1PCS





| | | | |
|---|------------|--|------|
| A | M6x40mm |  | 5PCS |
| G | 22xM6x15mm |  | 2PCS |
| H | 4mm |  | 1PCS |

