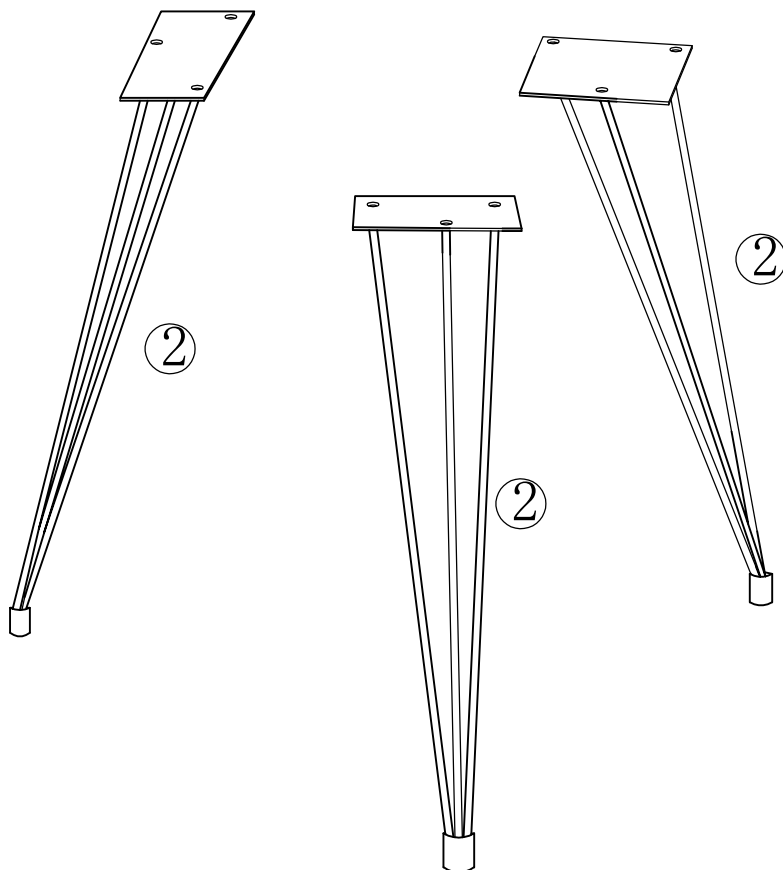
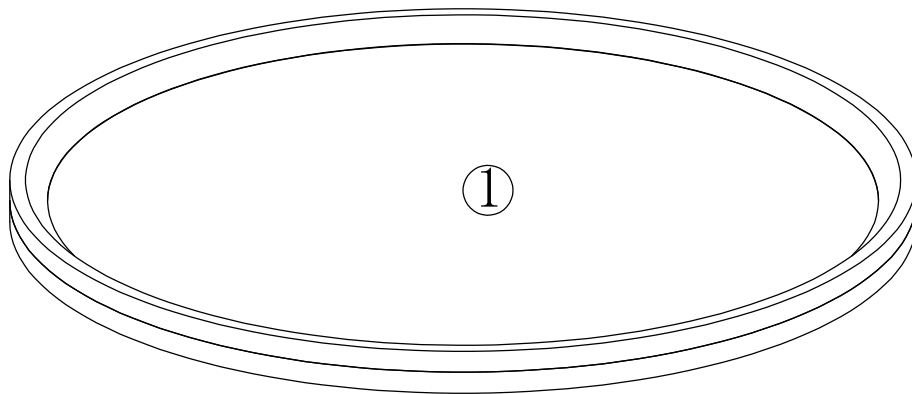


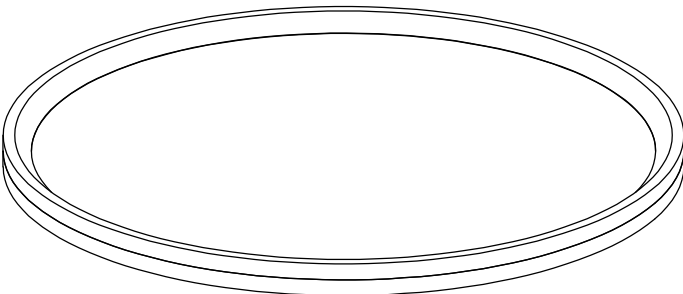
## RT192BMB Assembly Instructions



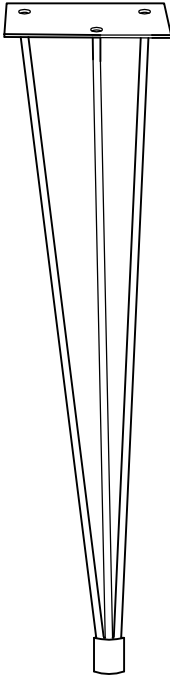
**NOTE:** Don't fully tighten the screws until the very end. Once you have fully assembled the cart, then proceed to completely tighten all the screws.



# Parts & Hardware List

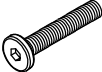



① 1PC

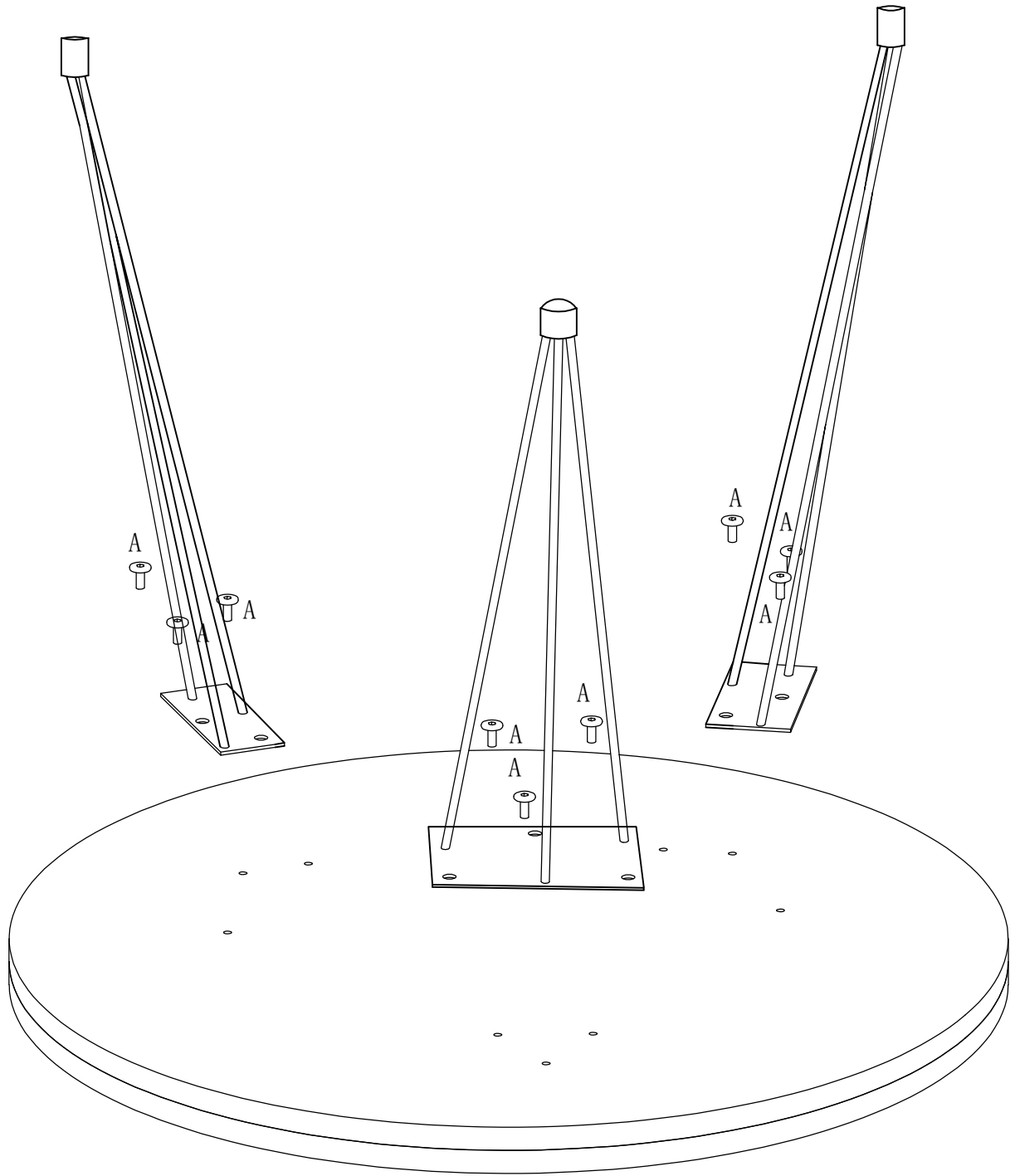


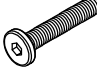

② 3PCS

# Hardware List

A M6x12mm  9PCS	B 4mm  1PC
---	--

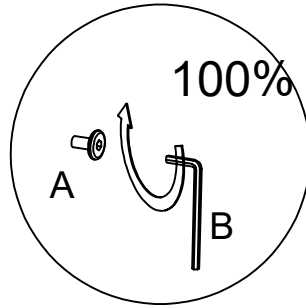
1



A M6x12mm  9PCS	B 4mm  1PC
---	--

40F5

2



\*ALL screws tighten fully.100%

