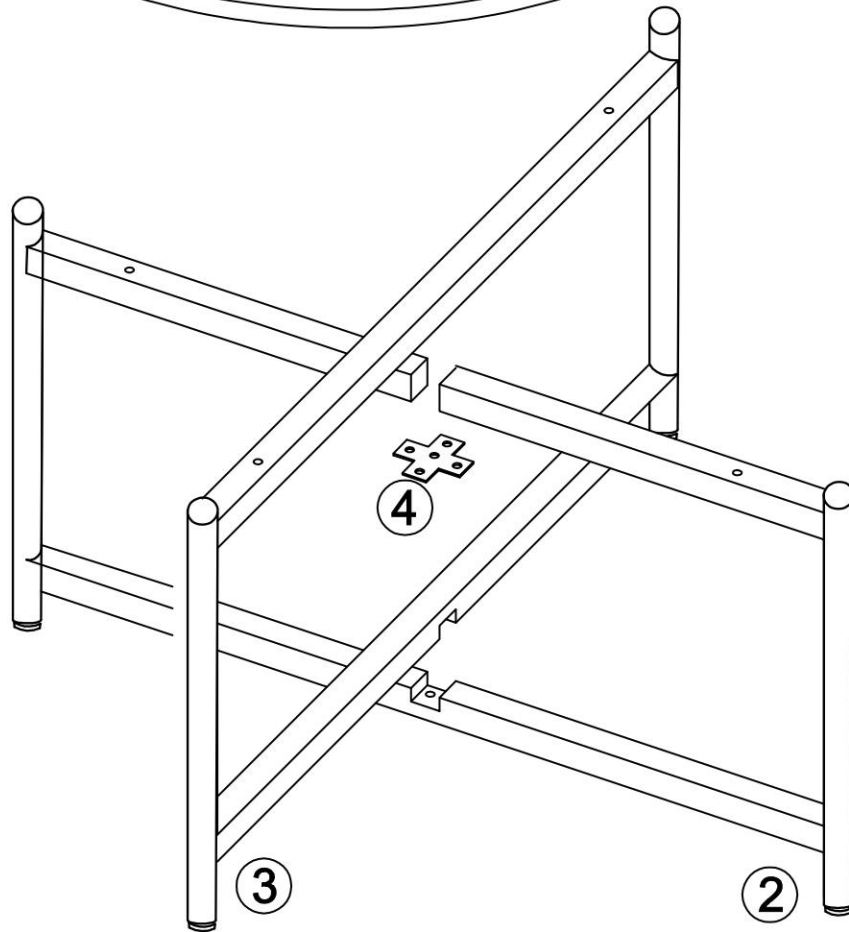
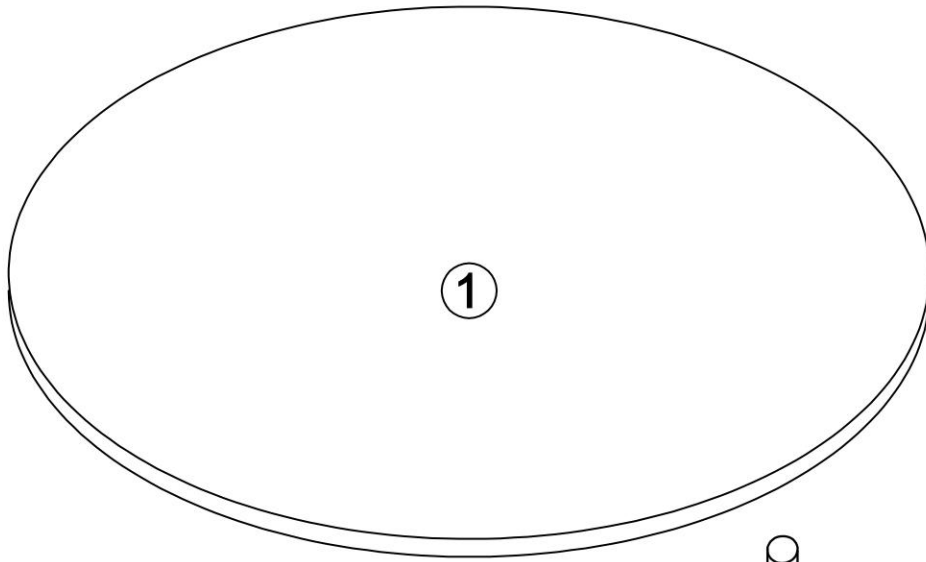







RT2210BK Assembly Instructions

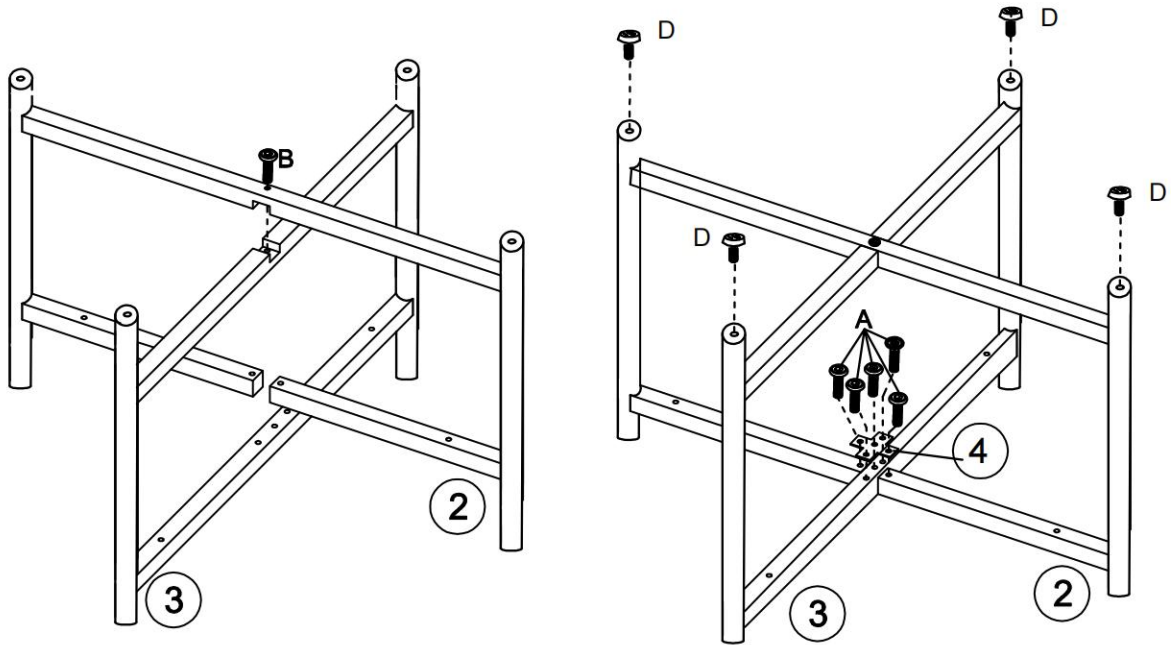






NOTE: Don't fully tighten the screws until the very end. Once you have fully assembled the table, then proceed to completely tighten all the screws.



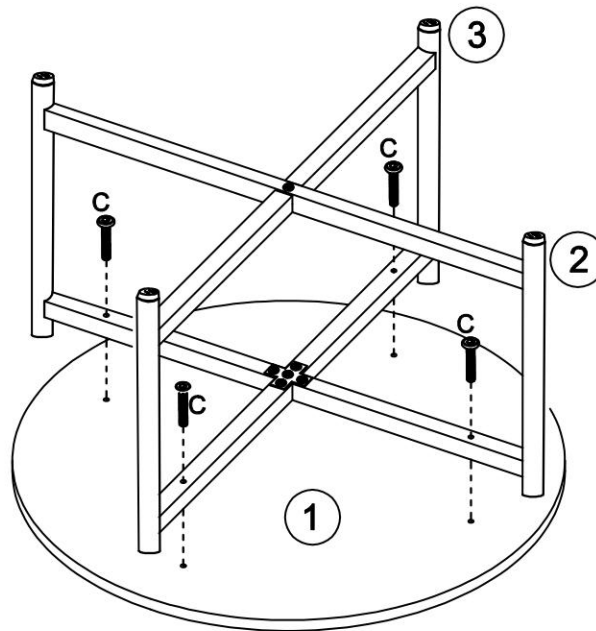
A M6×12mm  5PCS	B M6×28mm  1PC	C M6×40mm  4PCS	D  4PCS	E  1PC
--	---	--	---	--



1



A M6×12mm  5PCS	B  1PC	D  4PCS	E  1PC
---	---	--	--

2



C M6×40mm  4PCS	E  1PC
---	---