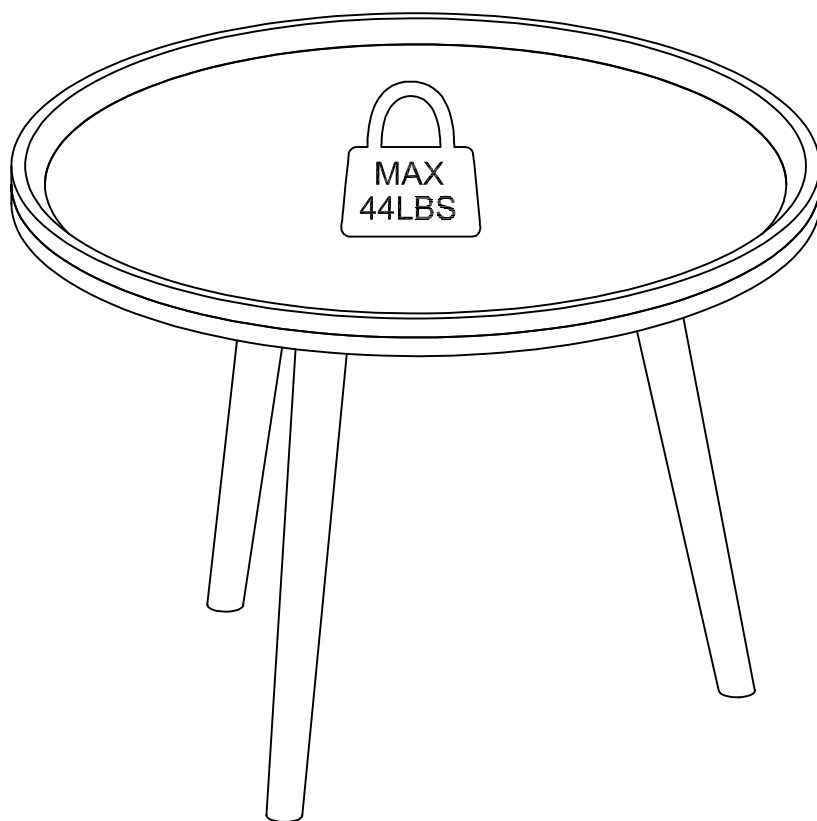
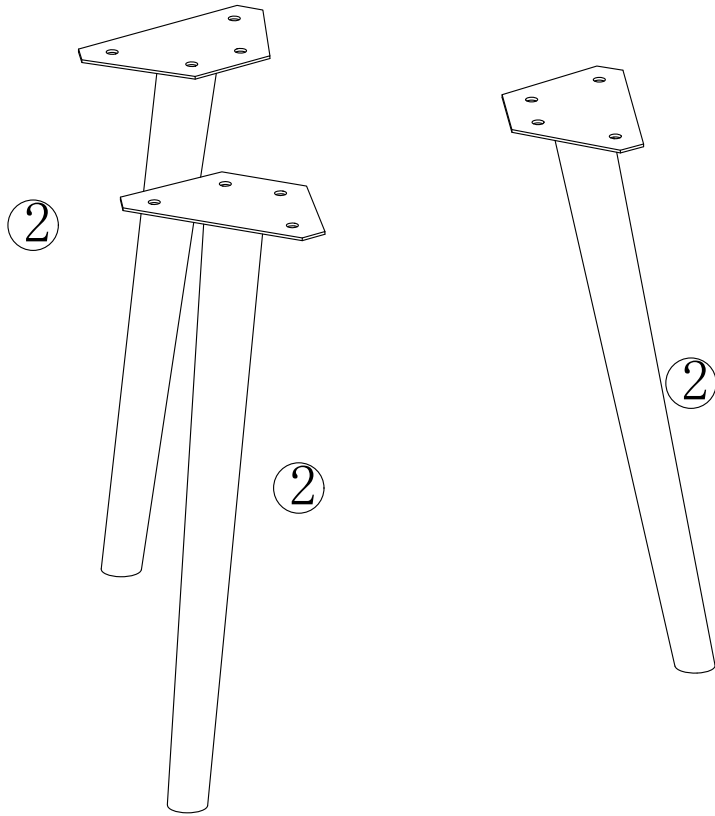
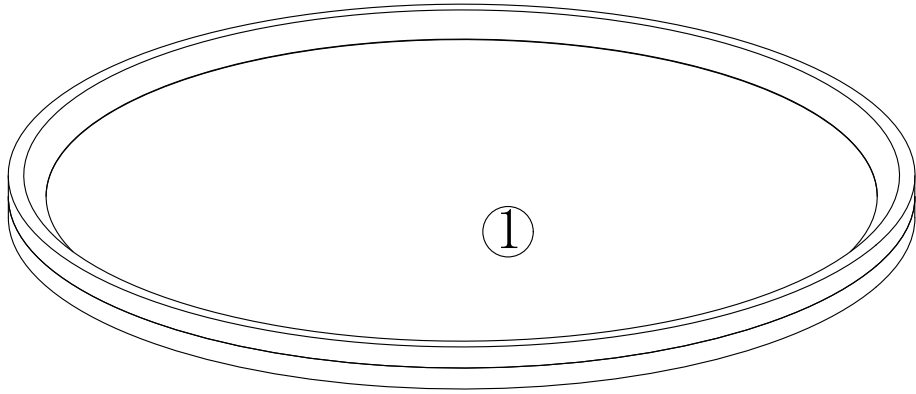


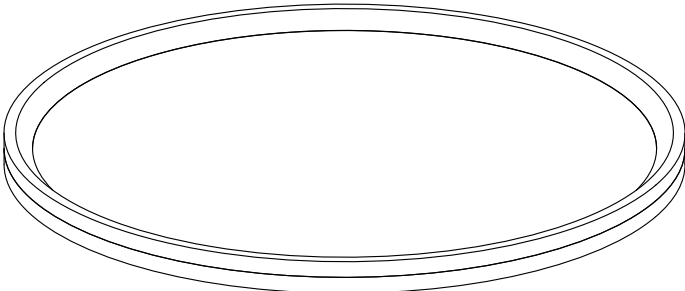
## RT245WN Assembly Instructions



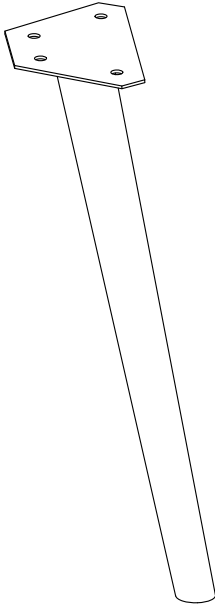
**NOTE:** Don't fully tighten the screws until the very end  
Once you have fully assembled the cart, then proceed to  
completely tighten all the screws.



# Parts & Hardware List

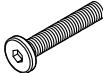



① 1PC

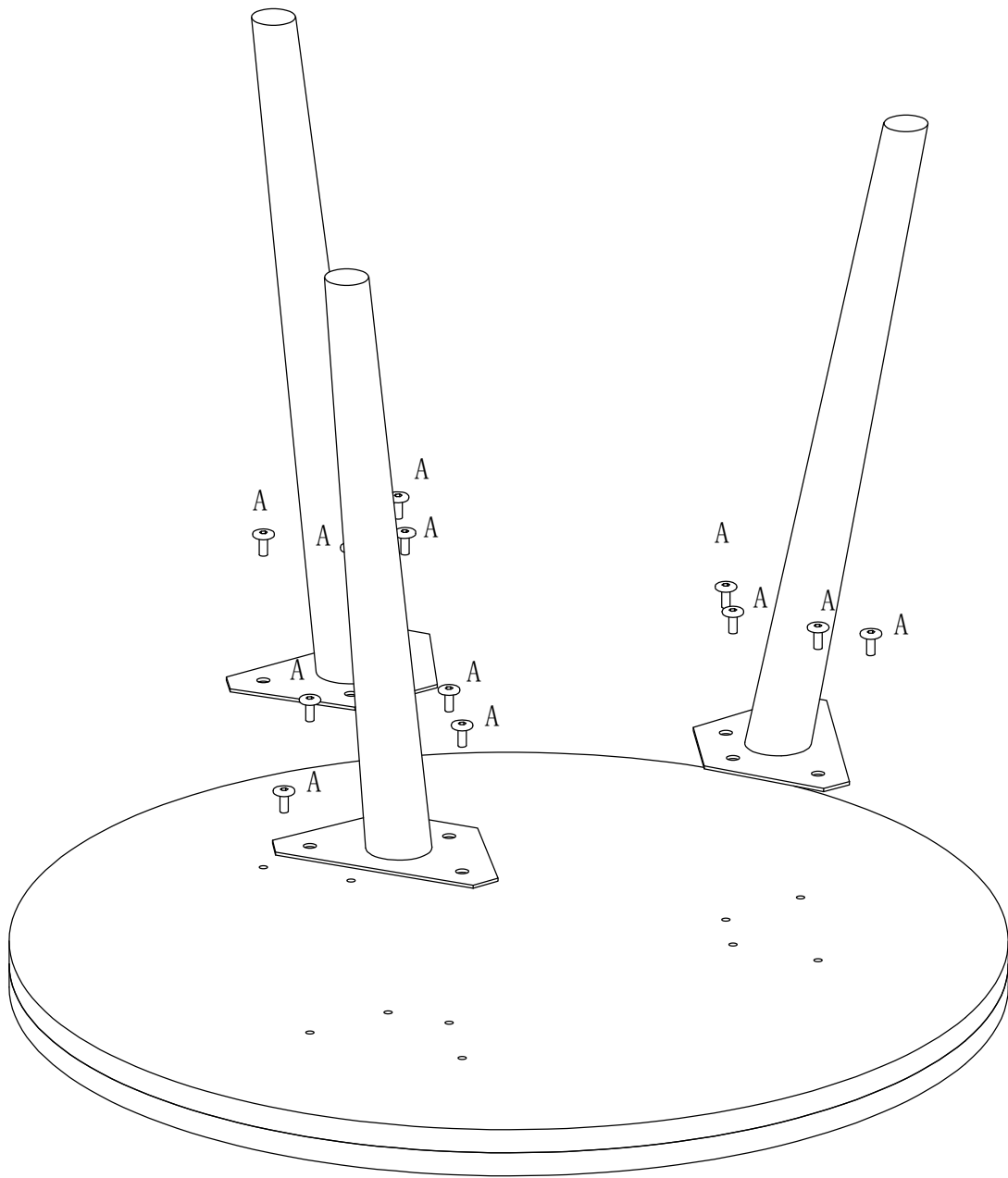


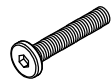

② 3PCS

# Hardware List

A M6x12mm  12PCS	B 4mm  1PC
--------------------------------------------------------------------------------------------------------------	--------------------------------------------------------------------------------------------------------

1



A M6x12mm  12PCS	B 4mm  1PC
----------------------------------------------------------------------------------------------------------------	----------------------------------------------------------------------------------------------------------

4OF5

2

\*ALL screws tighten fully.100%

