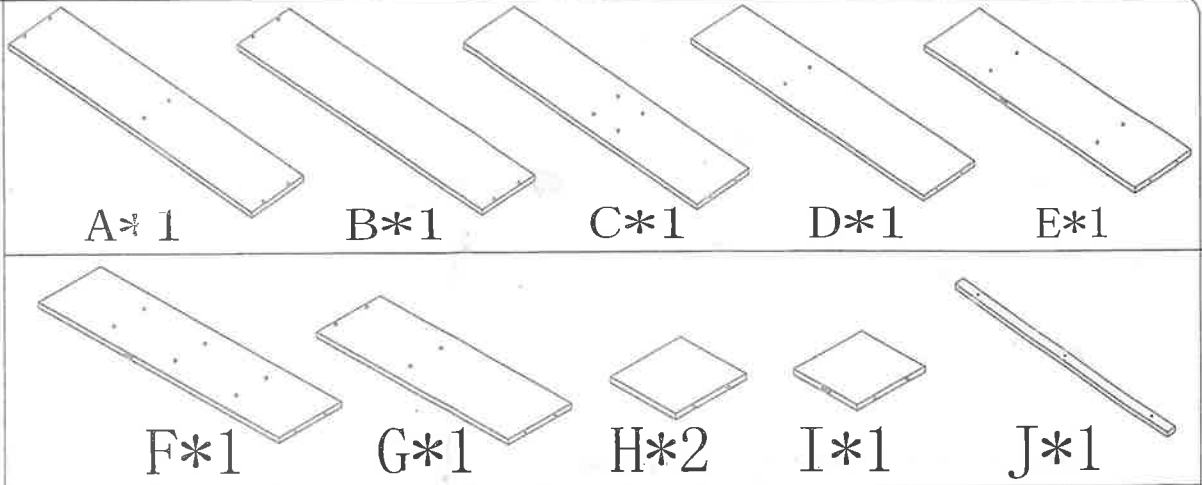


# Assembly Instructions



Components

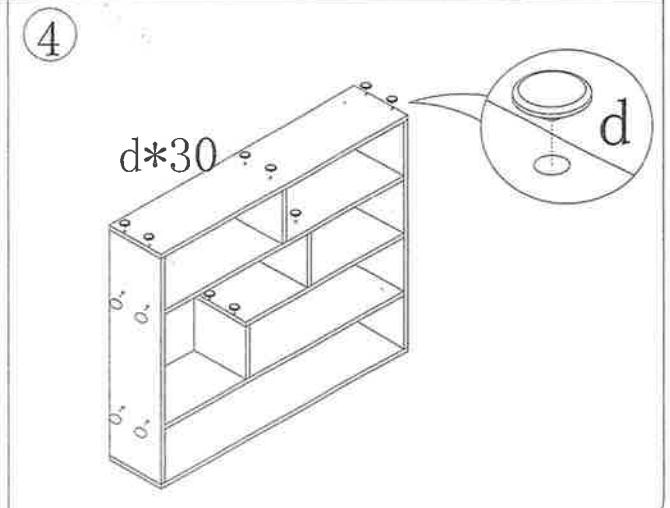
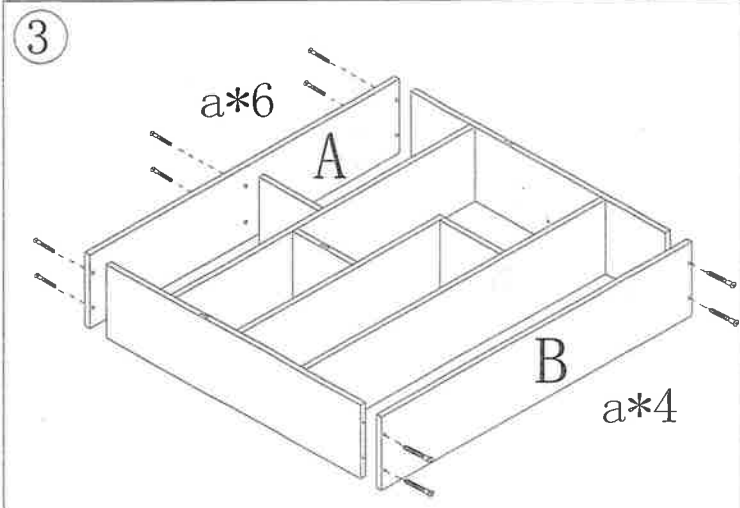
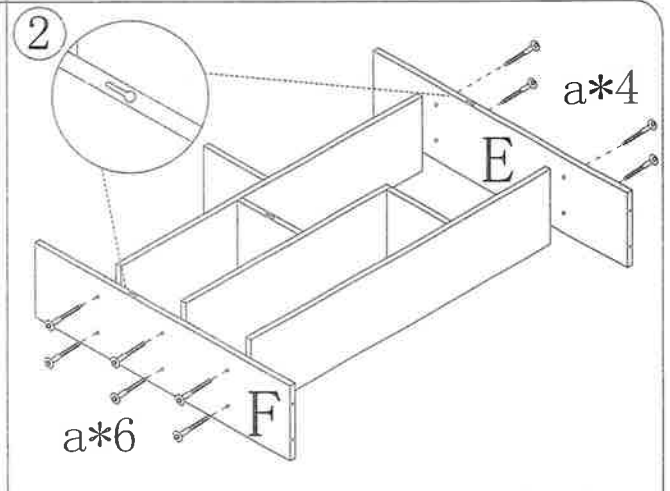
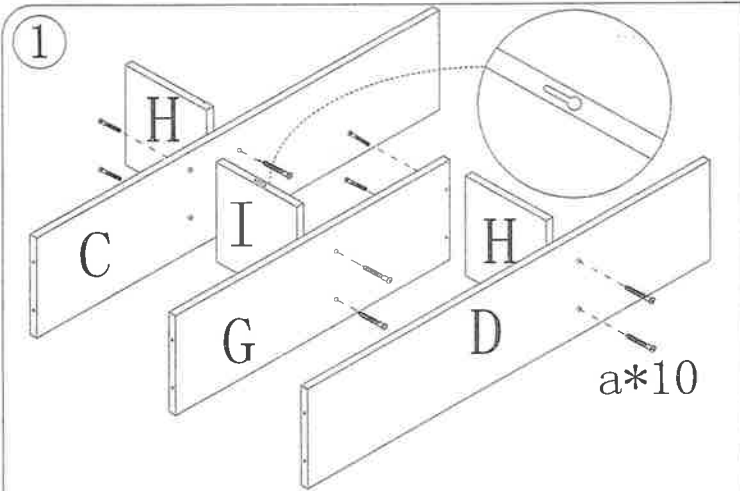


Hardware

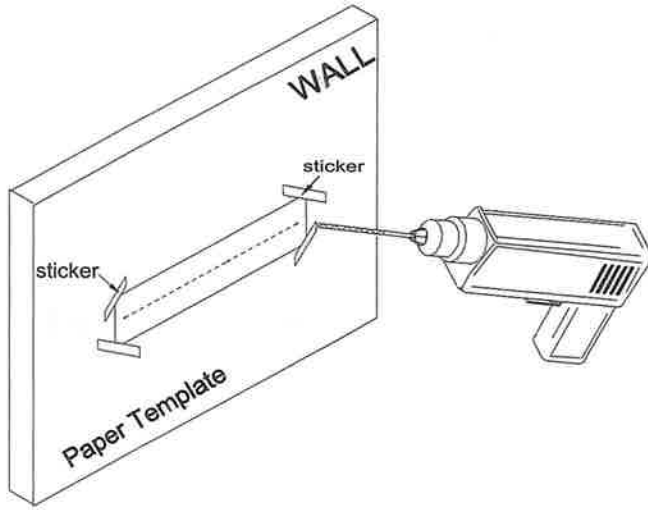


Weight Capacity

30 lbs

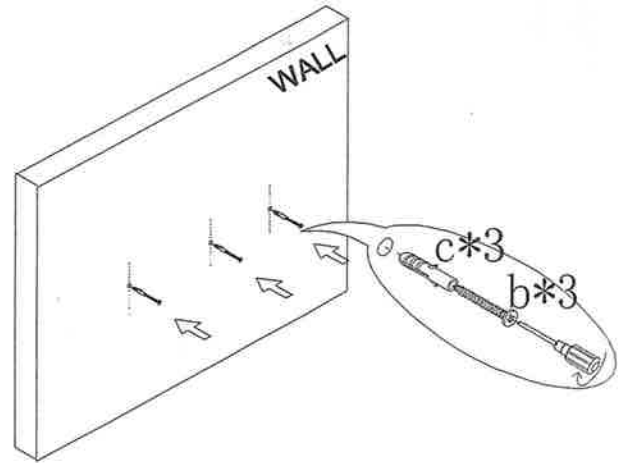


5

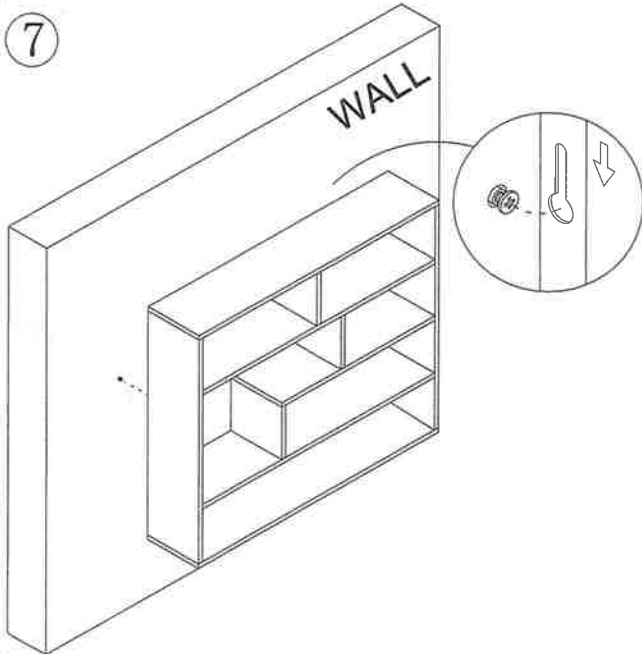


STICK PAPER TEMPLATE ON THE WALL

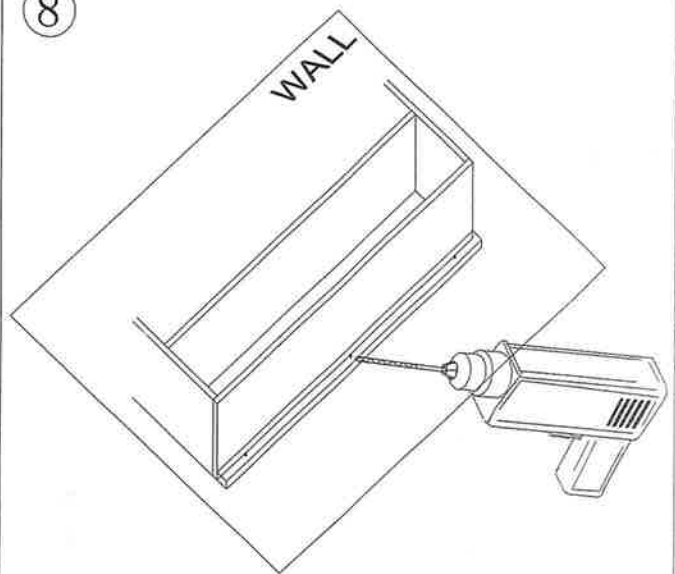
6



7



8



9

