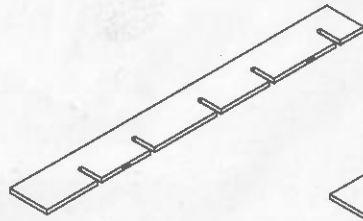
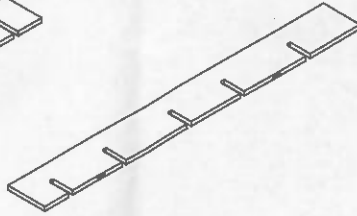


Assembly Instructions

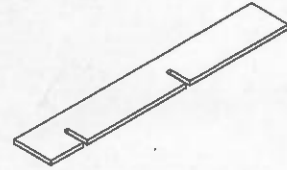
Components



A*1

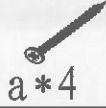


B*1



C*5

Hardware



a*4

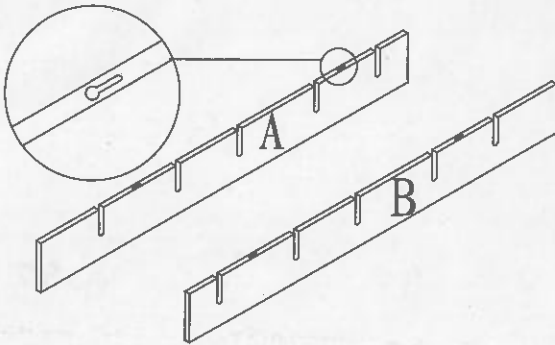


b*4

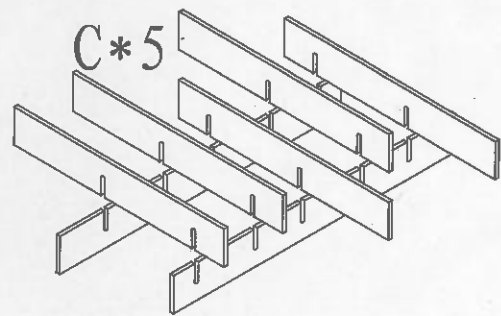
Weight Capacity

30 lbs

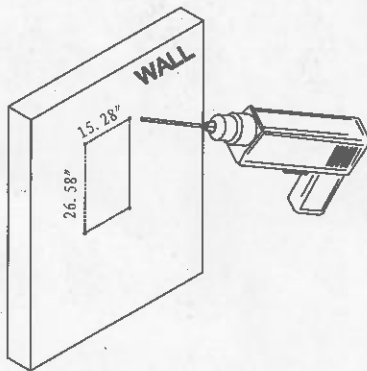
①



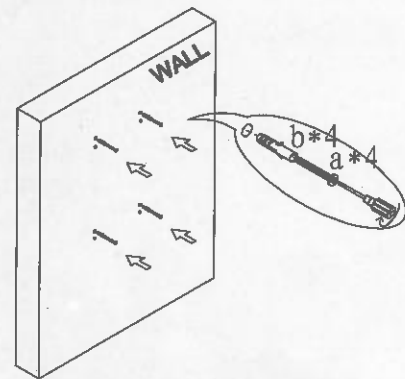
②



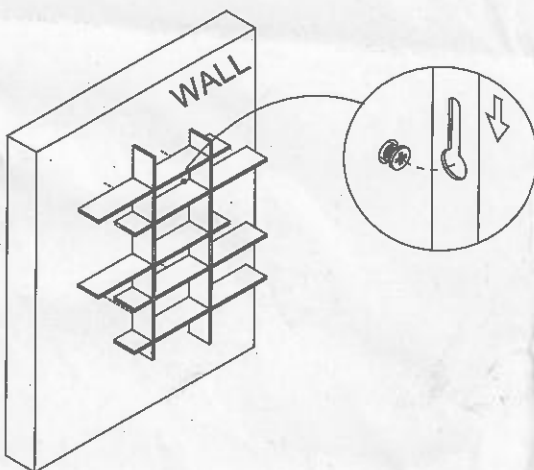
③



④



⑤



⑥

