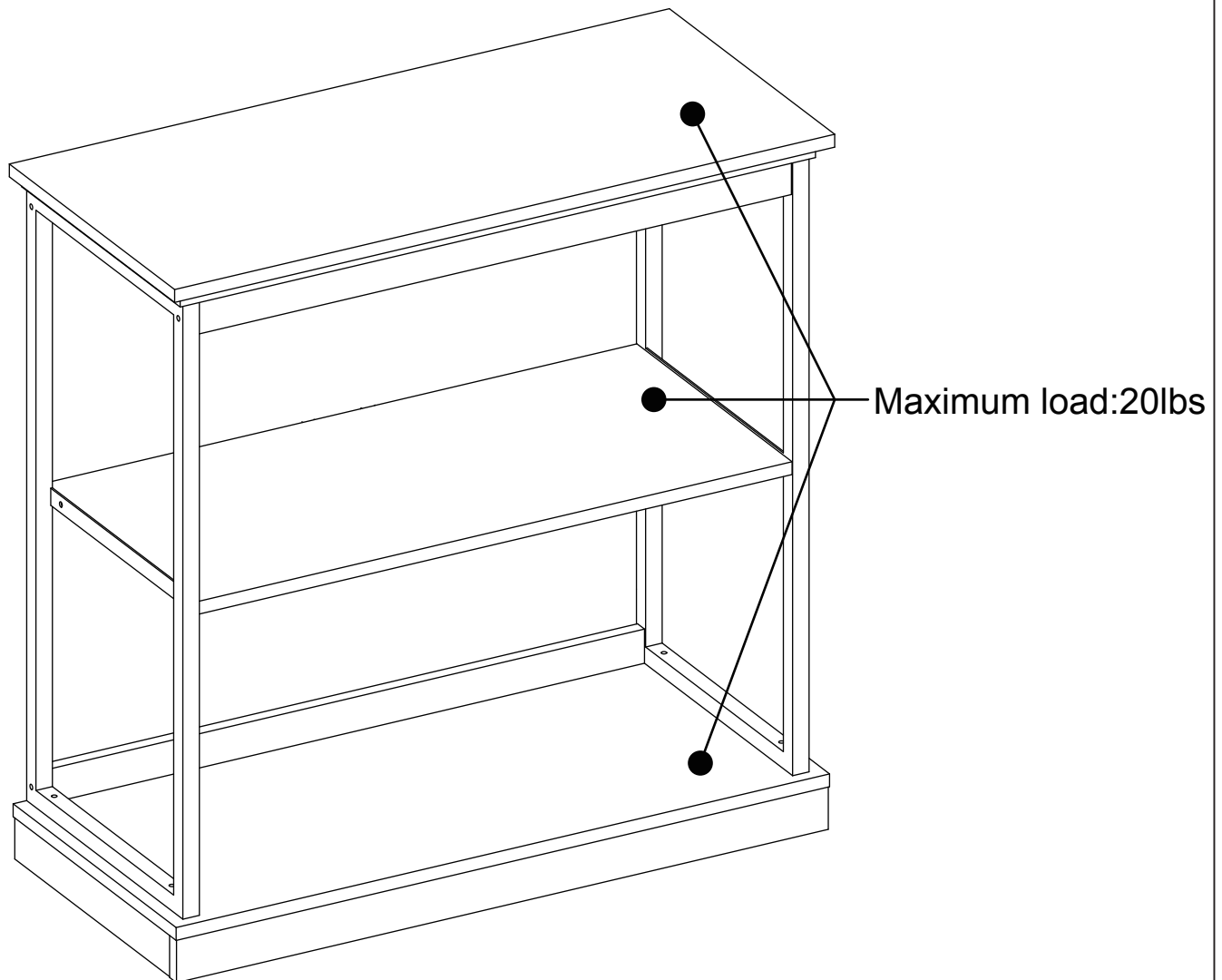
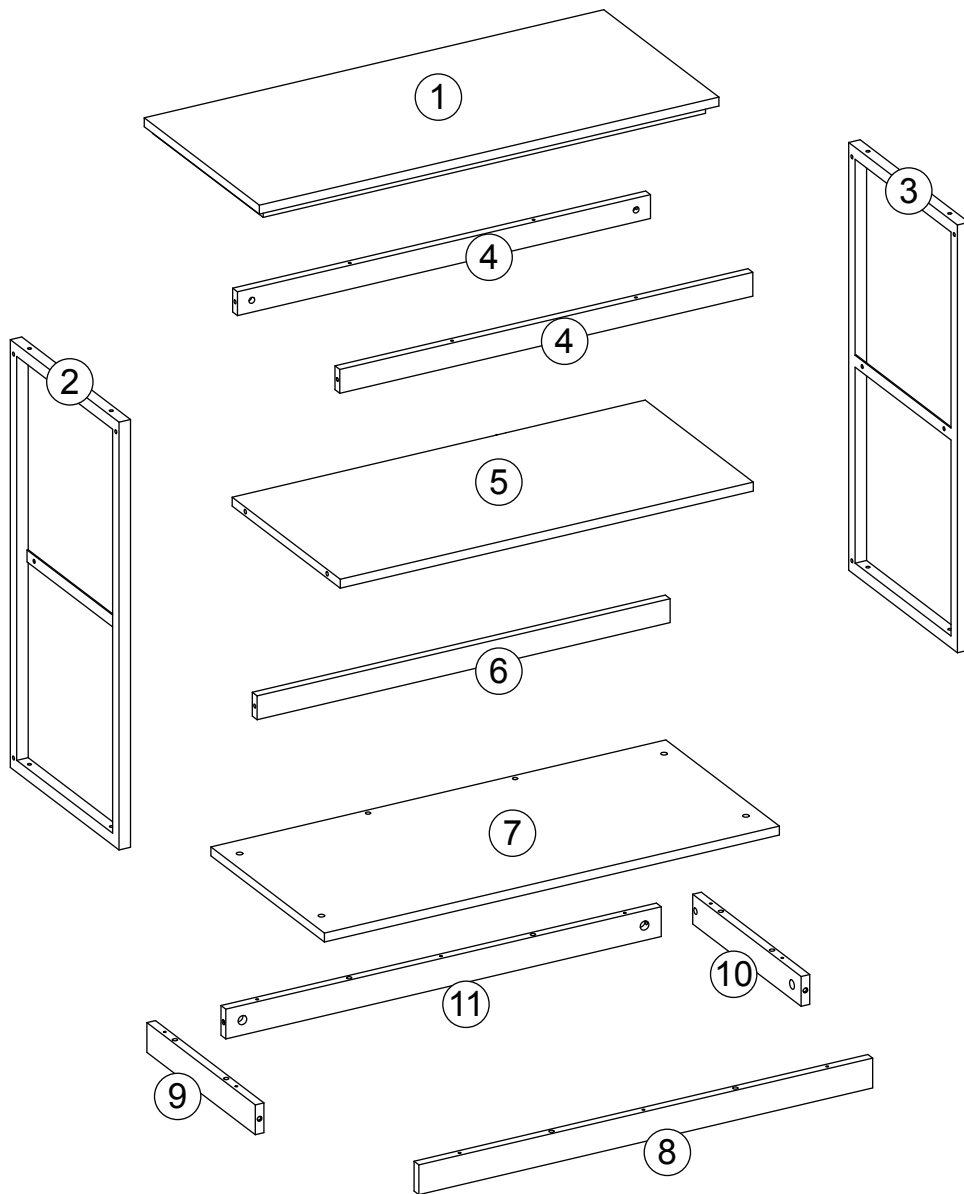


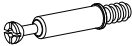







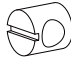
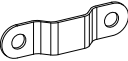



ASSEMBLY INSTRUCTIONS

BQ2135

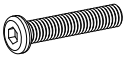

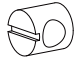

WEIGHT CAPACITY: 60lbs

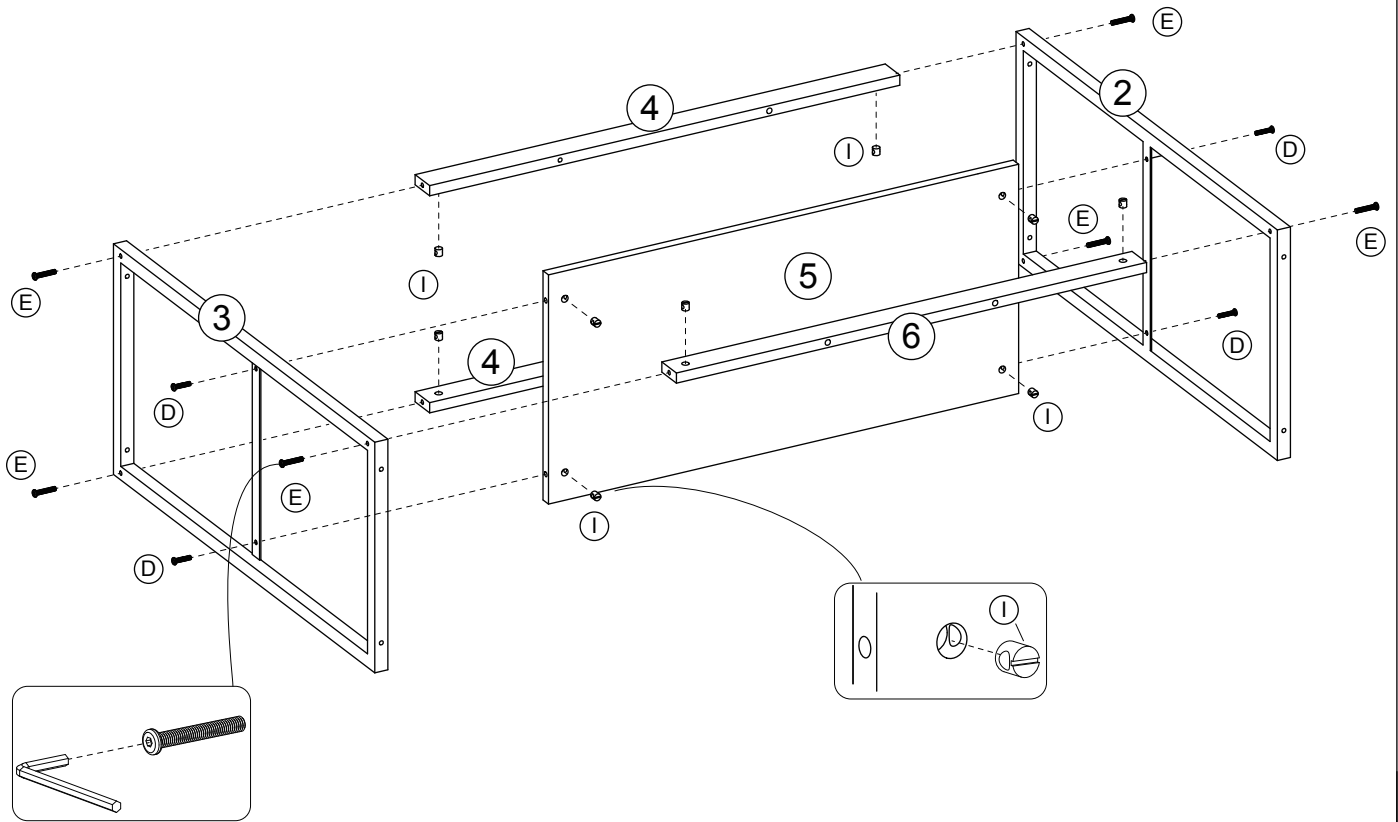







(A)×4	(B)×4	(C)×10	(D)×12	(E)×6
				
(F)×4	(G)×4	(H)×14	(I)×10	(J)×4
				
(K)×4	(L)×2	(M)×1		
				

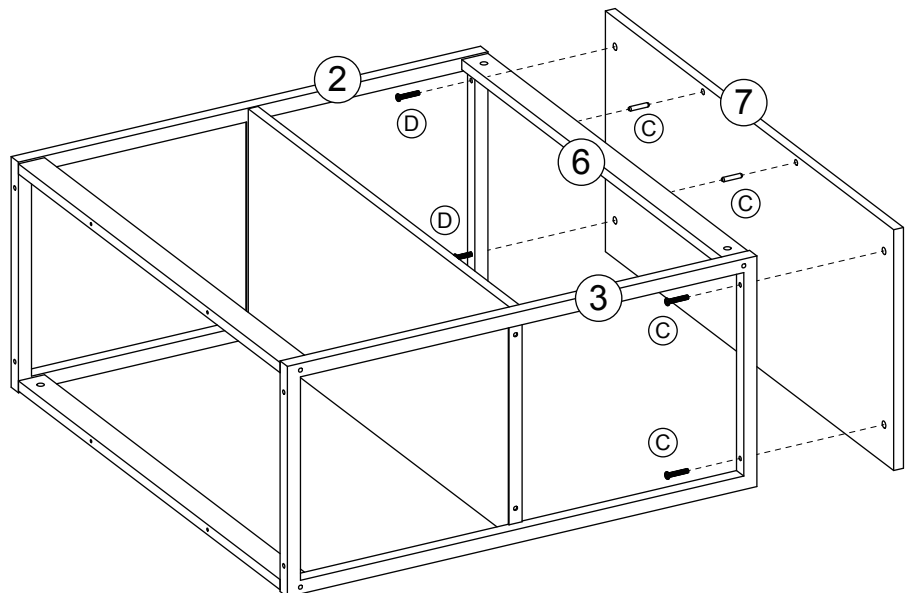
Step 1

$\textcircled{D} \times 4$	$\textcircled{E} \times 6$	$\textcircled{I} \times 10$	$\textcircled{M} \times 1$
			

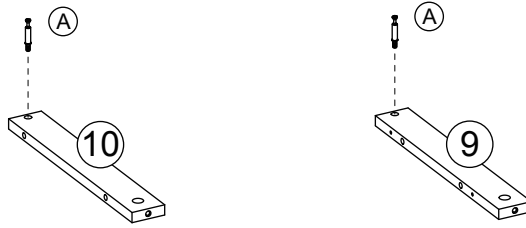
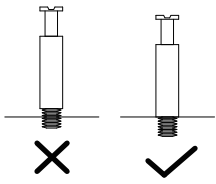


Step 2

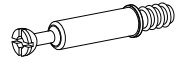
$\textcircled{C} \times 2$	$\textcircled{D} \times 4$	$\textcircled{M} \times 1$
		



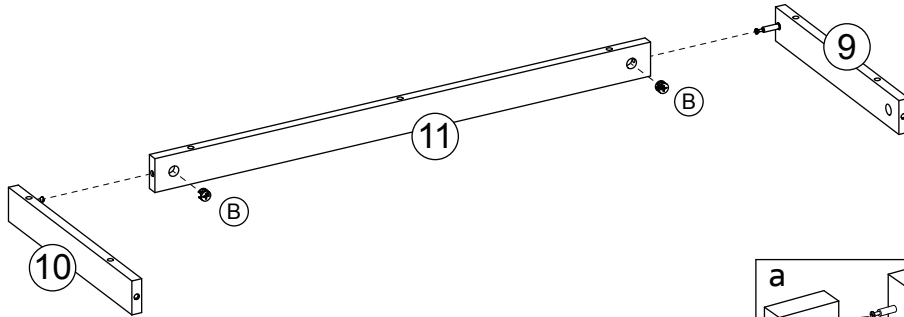
Step 3



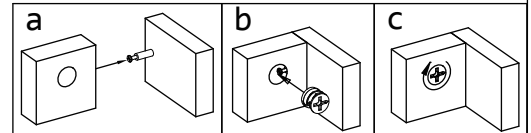
(A) × 2



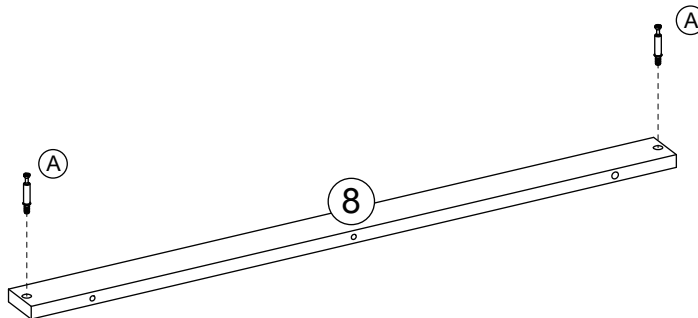
Step 4



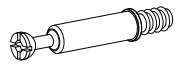
(B) × 2



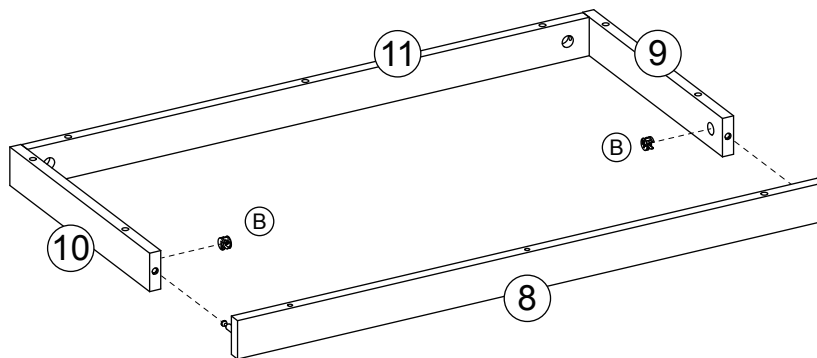
Step 5



(A) × 2



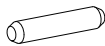
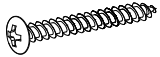
Step 6

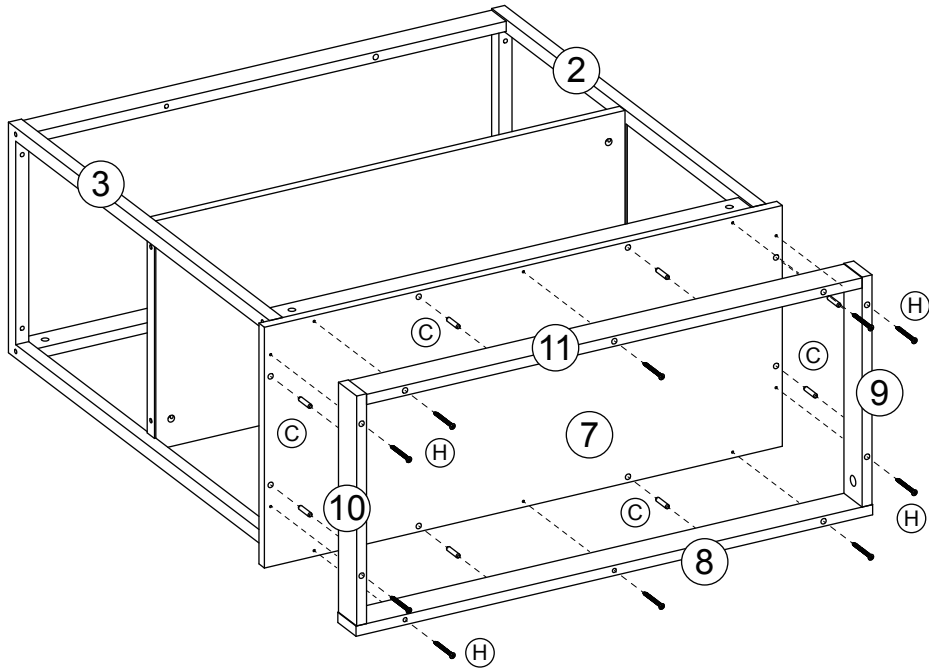


(B) × 2

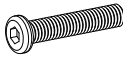
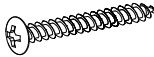



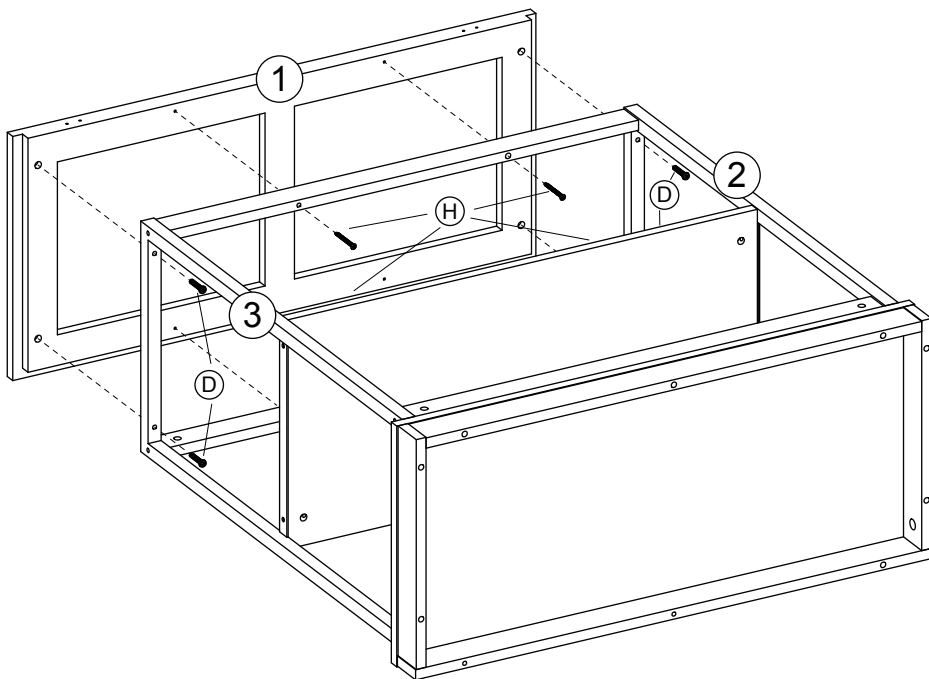
Step 7

$C \times 8$	$H \times 10$
	

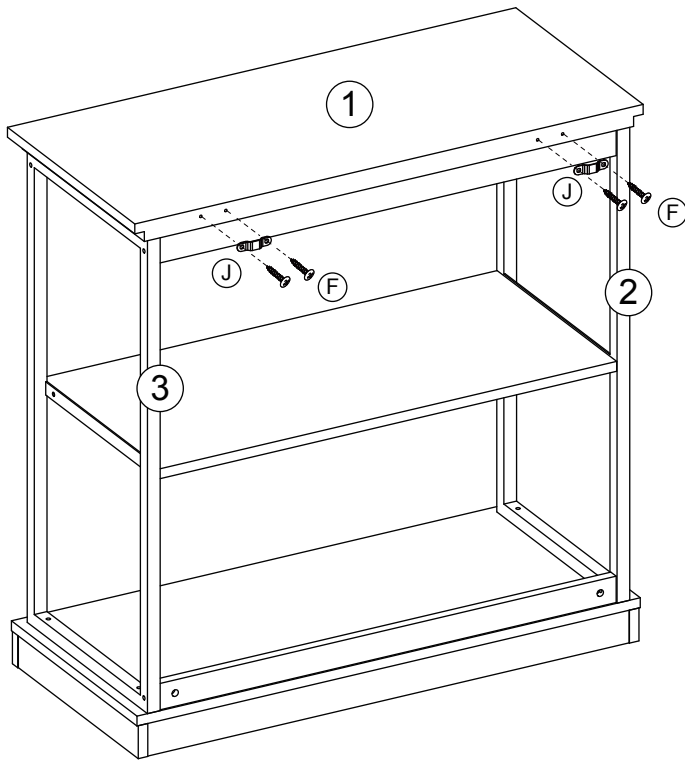


Step 8

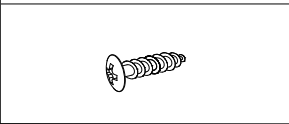
$D \times 4$	$H \times 4$	$M \times 1$
		



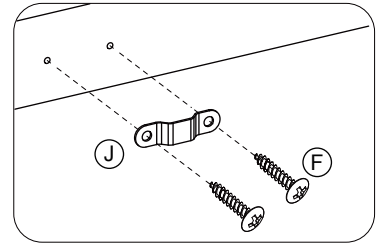
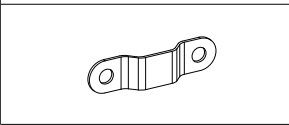
Step 9



(F) × 4



(J) × 2



Step 10

(G) × 4	(J) × 2	(K) × 4	(L) × 2

