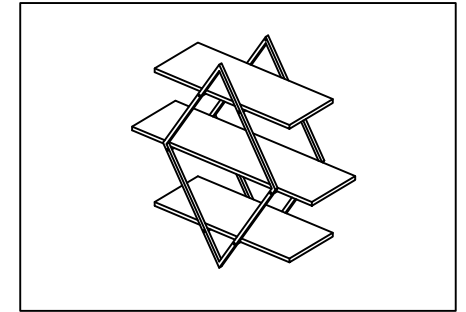
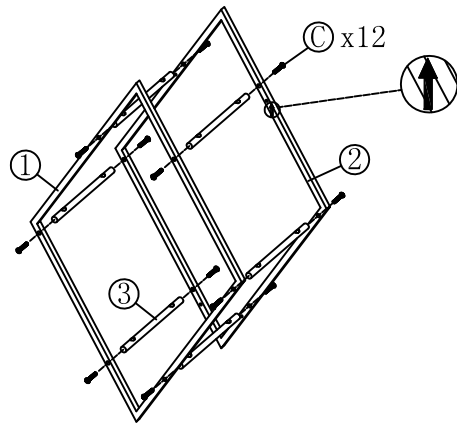


# ASSEMBLY INSTRUCTION

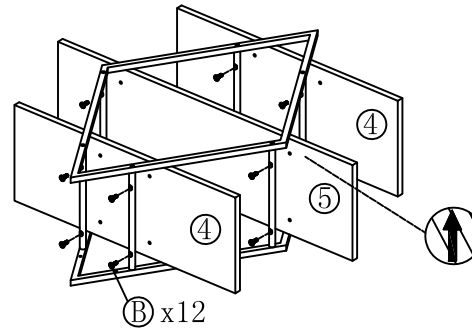
ITEM NO:GH21203



## STEP 1

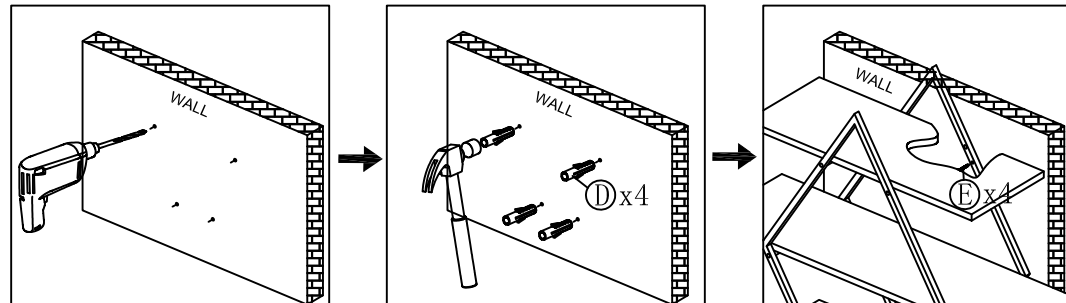
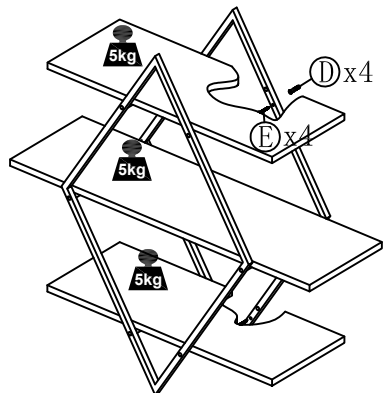


## STEP 2



## STEP 3

Maximum Weight Capacity



①		1PC
②		1PC
③		6PCS
④		2PC
⑤		1PC
Ⓐ		1PC
Ⓑ		12PCS M6*22mm
Ⓒ		12PCS M6*35mm
Ⓓ		4PCS
Ⓔ		4PCS M4*45mm