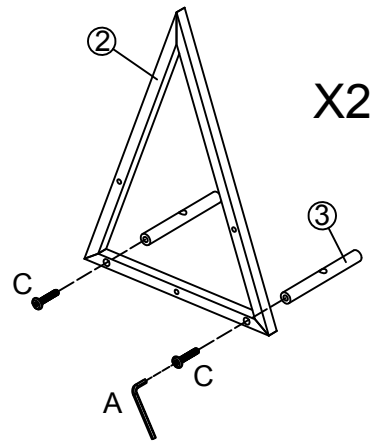


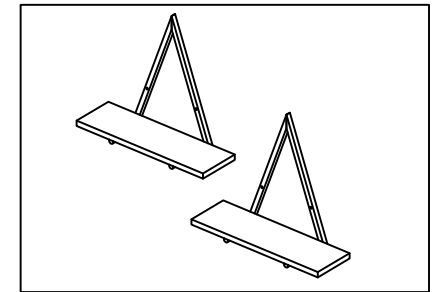
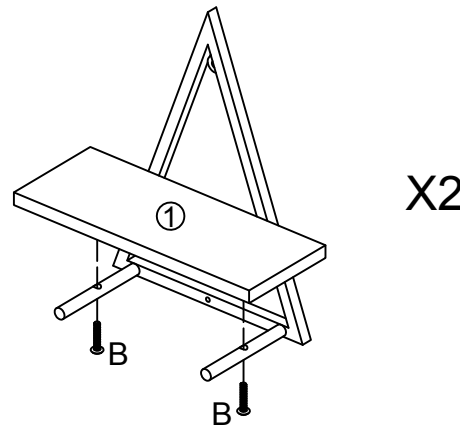
ASSEMBLY INSTRUCTION

ITEM NO:GH22090

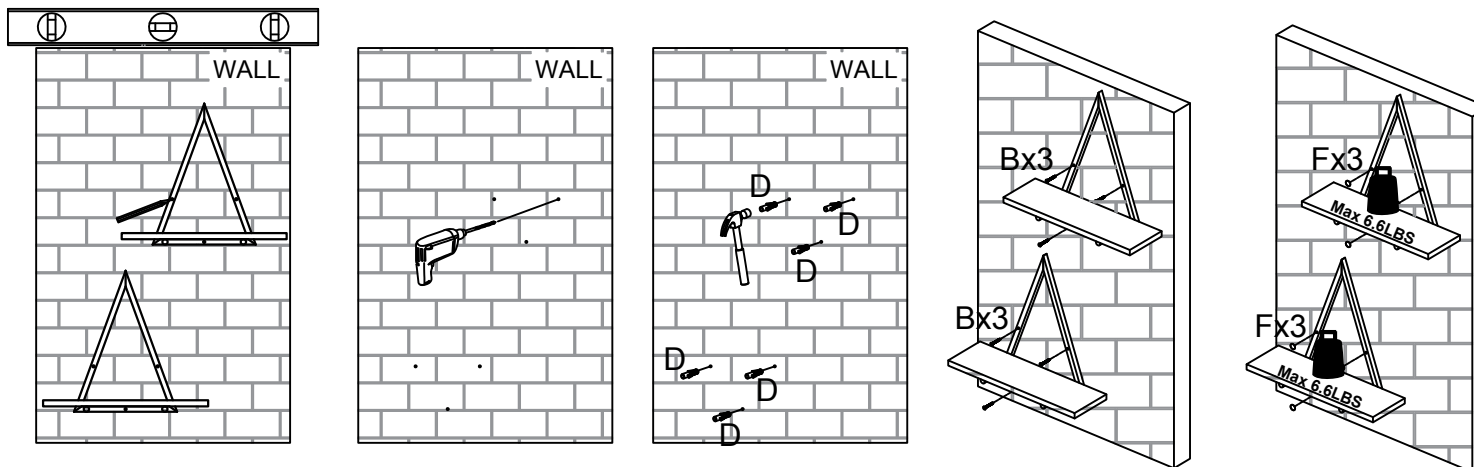
STEP 1



STEP 2



STEP 3



①		2PCS
②		2PCS
③		4PCS
A		1PC
B	M6*22mm	4PCS
C	M6*30mm	4PCS
D		6PCS
E	M4*45mm	6PCS
F		6PCS