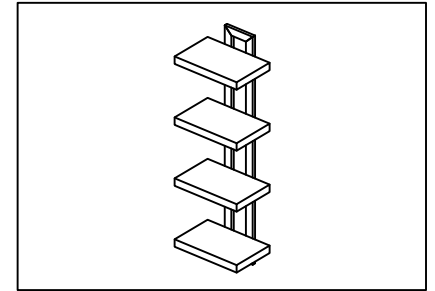
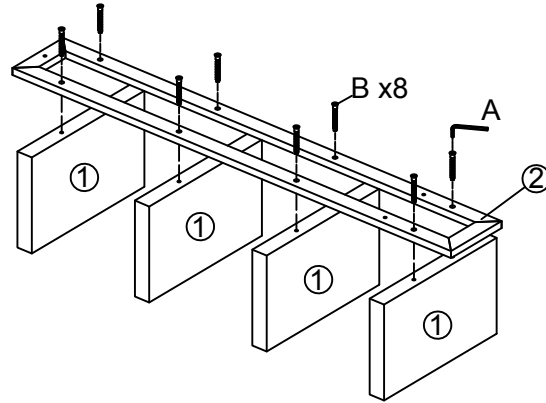


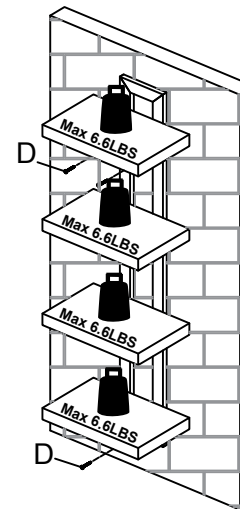
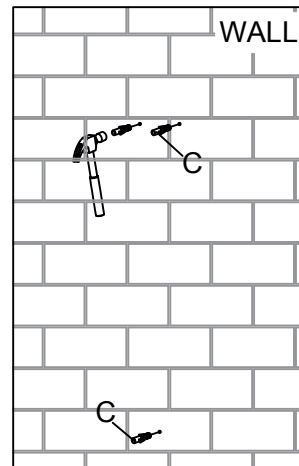
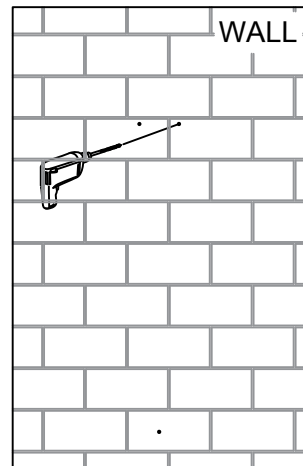
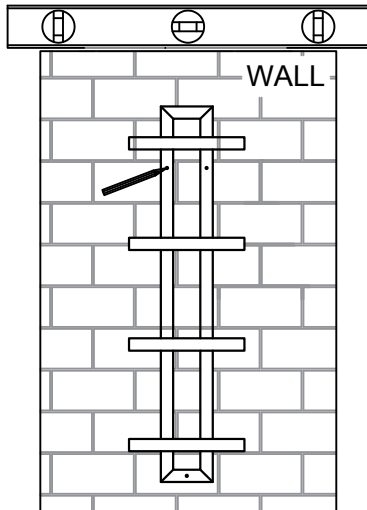
# ASSEMBLY INSTRUCTION

ITEM NO:GH2220

## STEP 1



## STEP 2



①		4PCS
②		1PC
A		1PC
B	 M7*50mm	8PCS
C		3PCS
D	 M4*45mm	3PCS