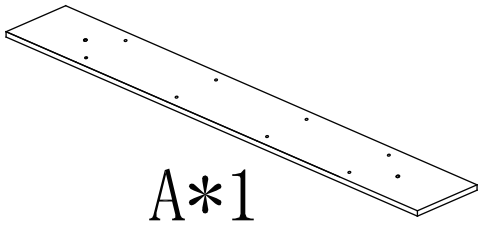
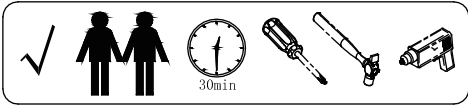
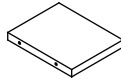


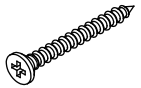
Assembly Instructions



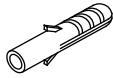
A*1



B*4



a*10



b*2

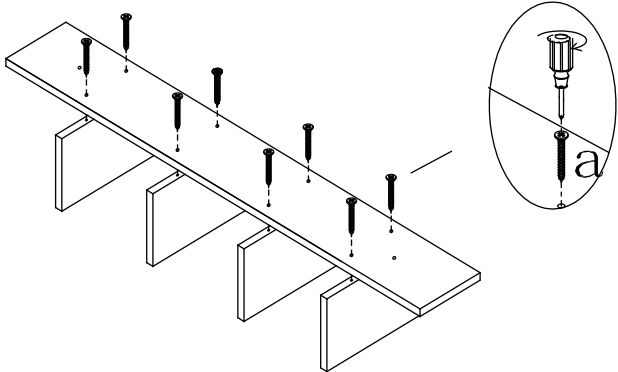


c*2

Total Weight Capacity

22 lbs

①



②



1



2



3

③

