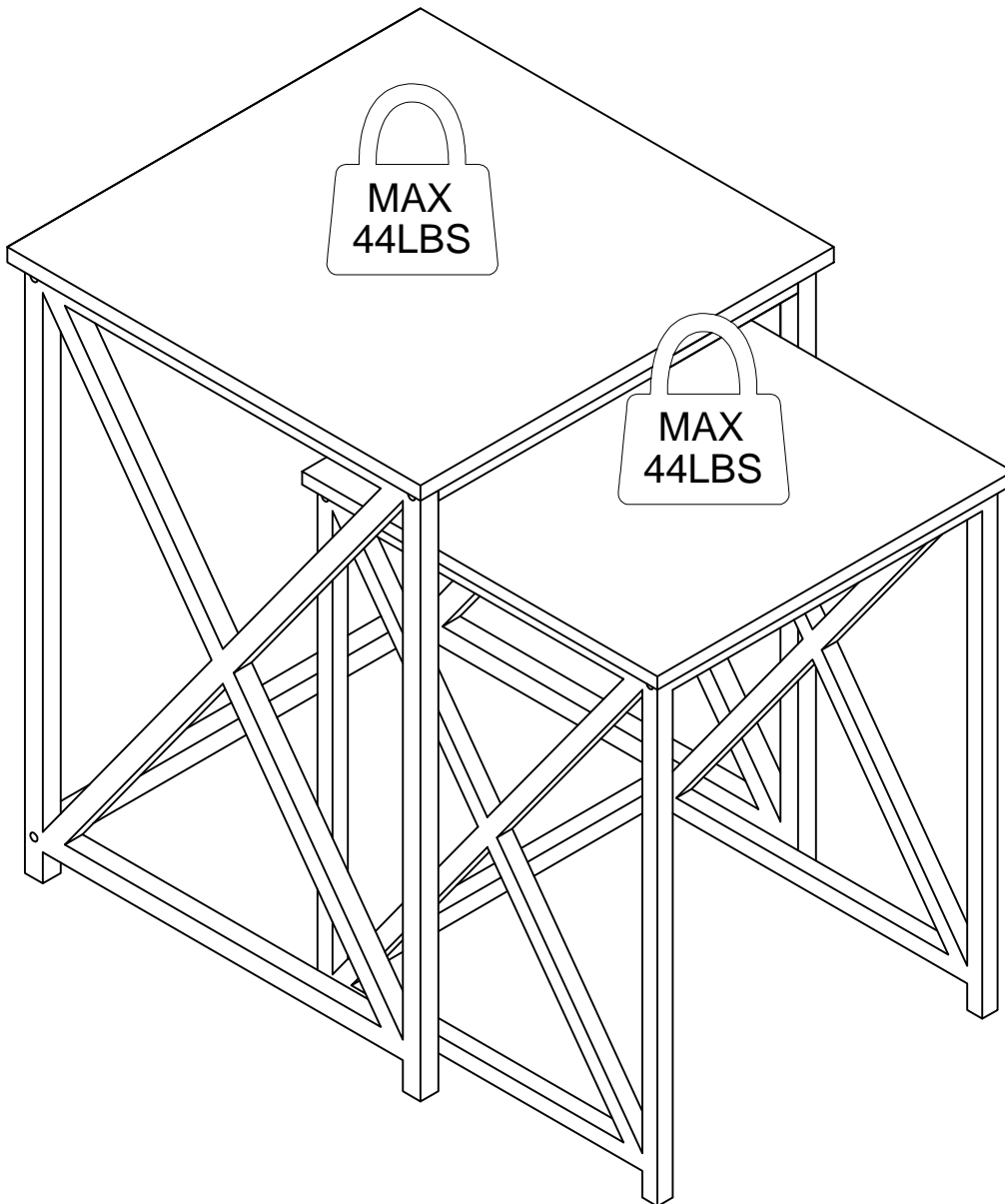
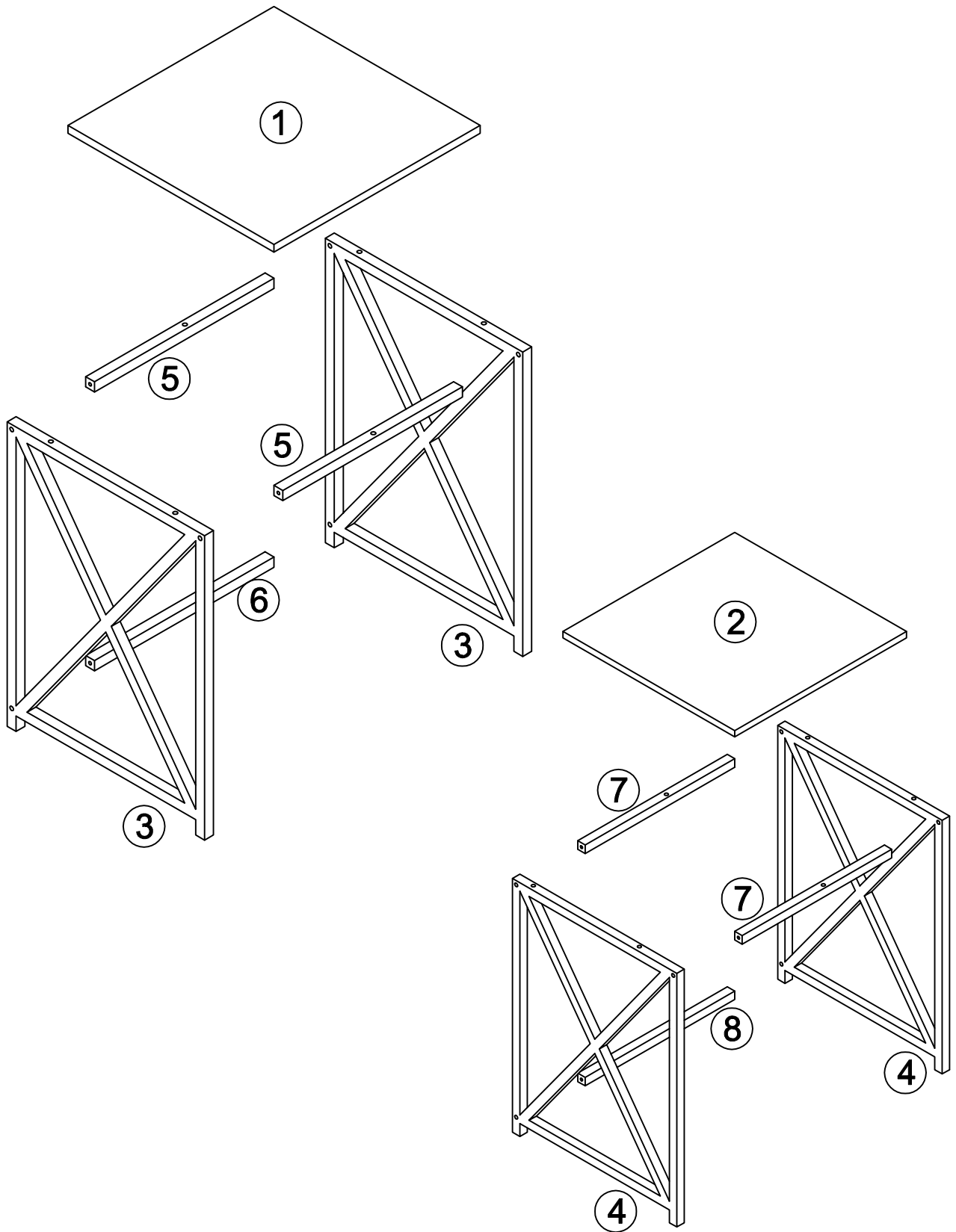



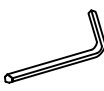


RT001BK Assembly Instructions

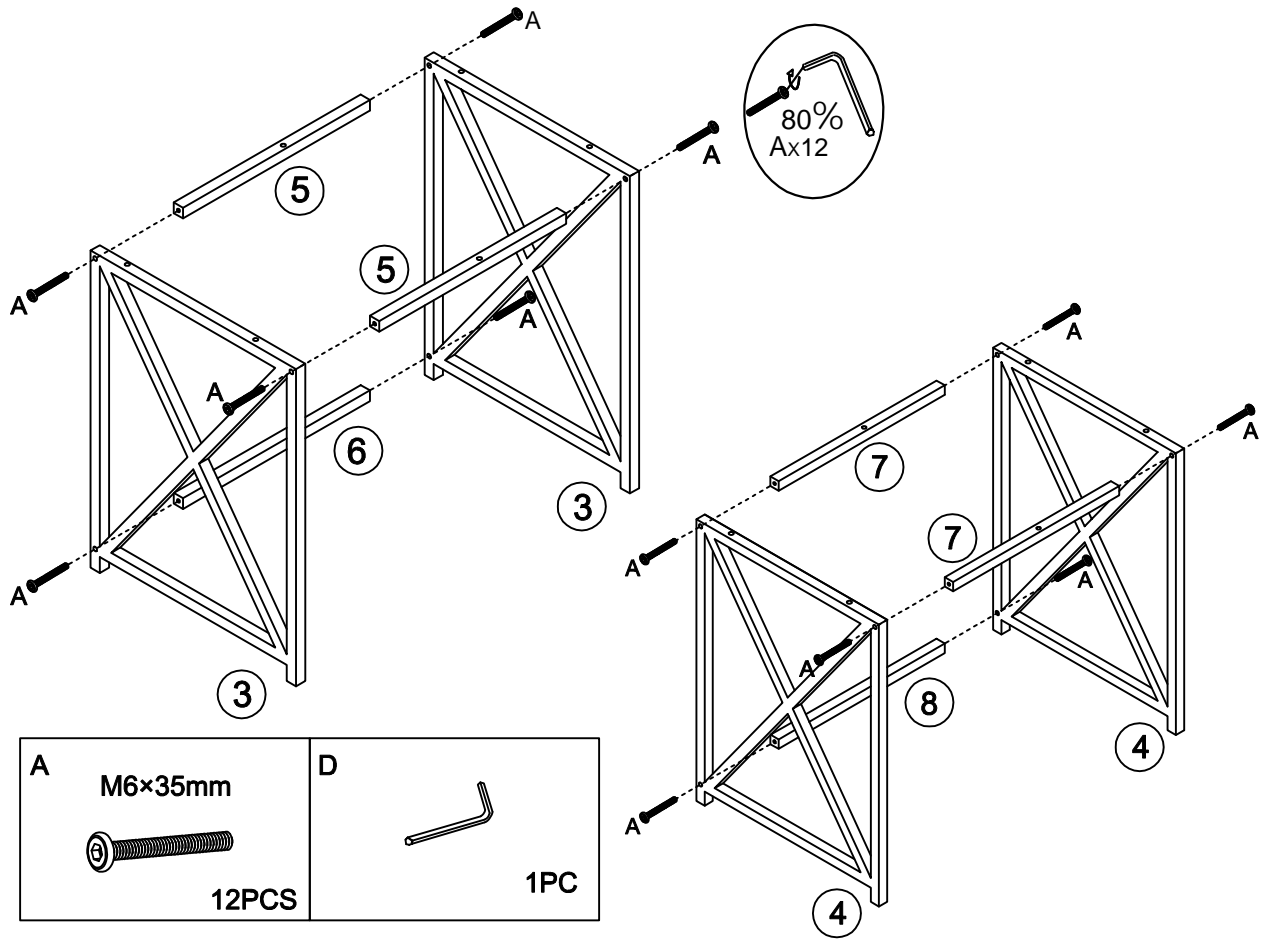


NOTE: Don't fully tighten the screws until the very end. Once you have fully assembled the table, then proceed to completely tighten all the screws.



<p>A M6×35mm</p>  <p>12PCS</p>	<p>B M6×25mm</p>  <p>12PCS</p>	<p>C</p>  <p>8PC</p>	<p>D</p>  <p>1PC</p>
--	--	--	--

1



2

