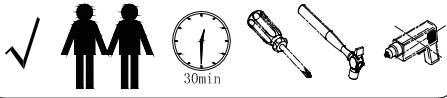
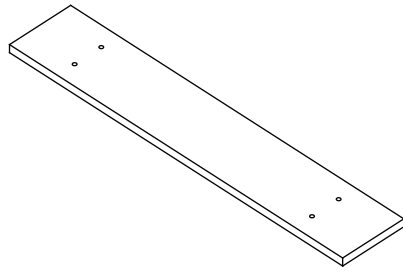


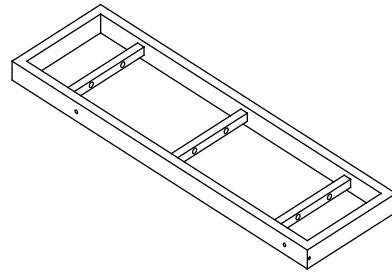
# Assembly Instructions



Components



A\*3

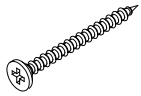


B\*2

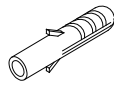
Hardware



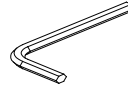
a\*12



b\*4



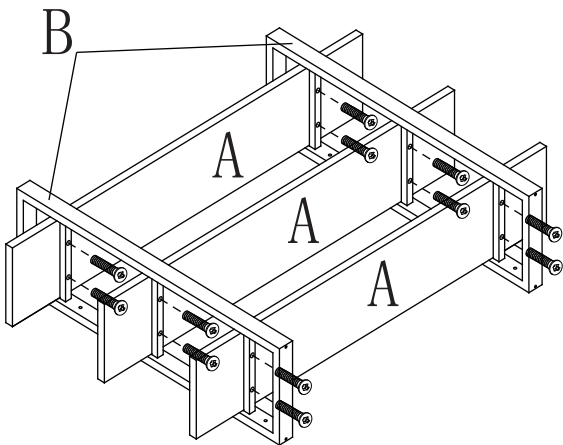
c\*4



d\*1

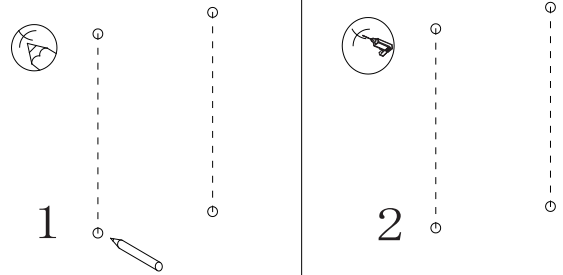
Weight Capacity 11 lbs

①



a\*12

②



1

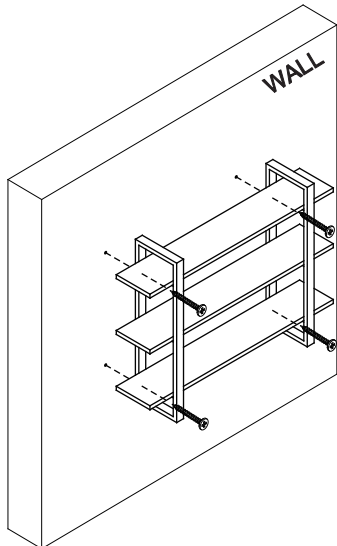
2



c

3

③



b\*4

④

