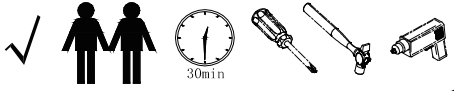
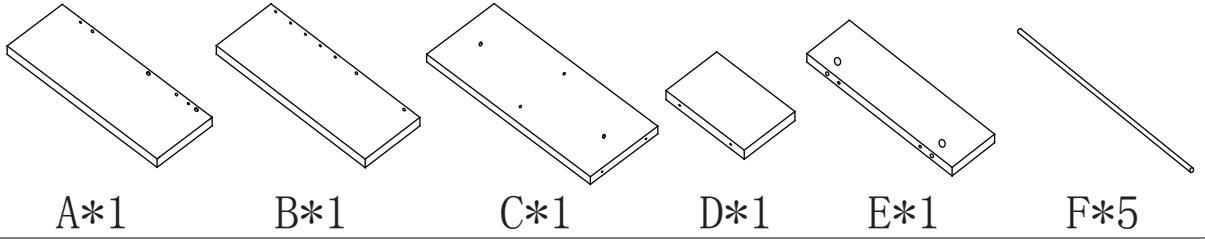


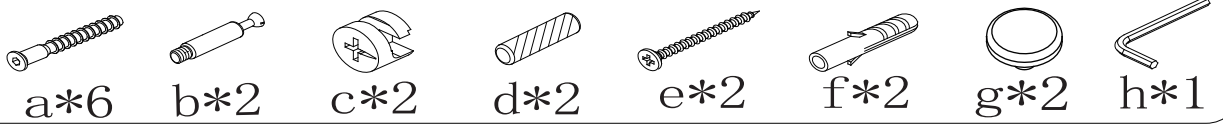
Assembly Instructions



Components



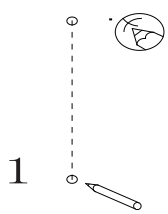
Hardware



Weight Capacity

11 lbs

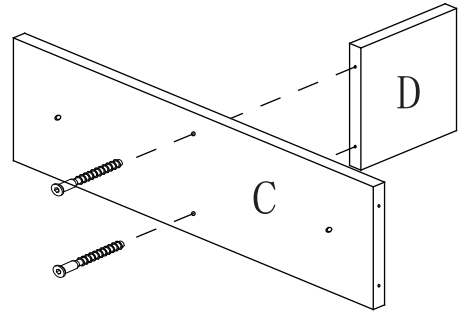
Step 1



2

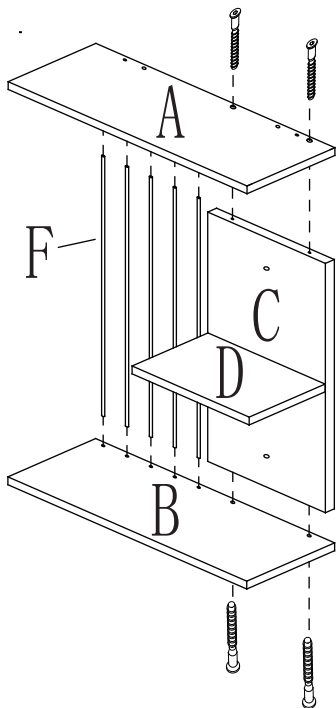
3

Step 2



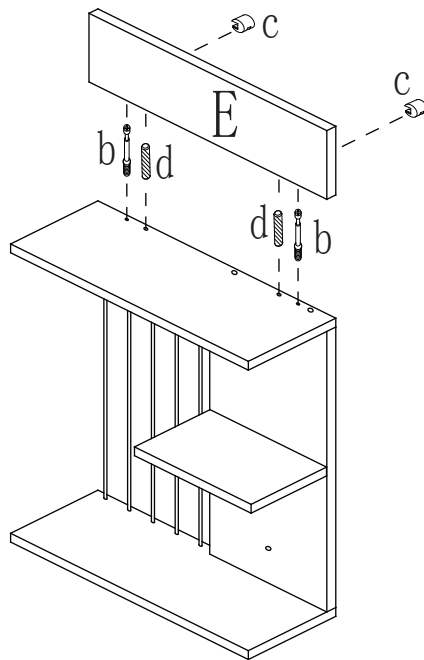
a*2

Step 3



a*4

Step 4



b*2
c*2
d*2

Step 5

