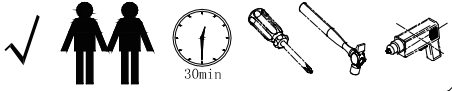
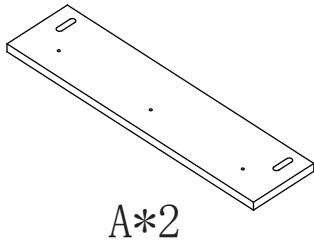


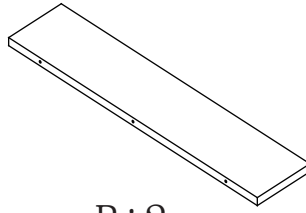
Assembly Instructions



Components

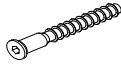


A*2



B*2

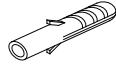
Hardware



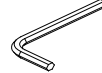
a*6



b*4



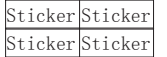
c*4



d*1



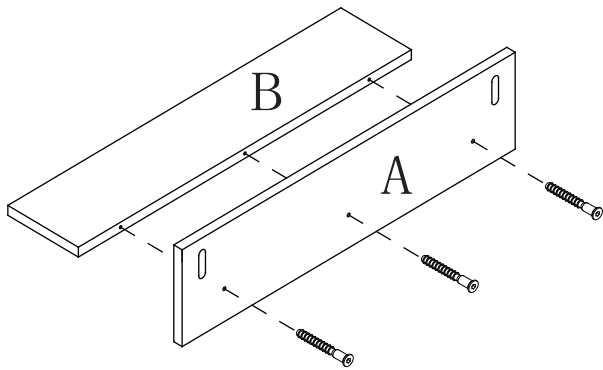
Paper Template



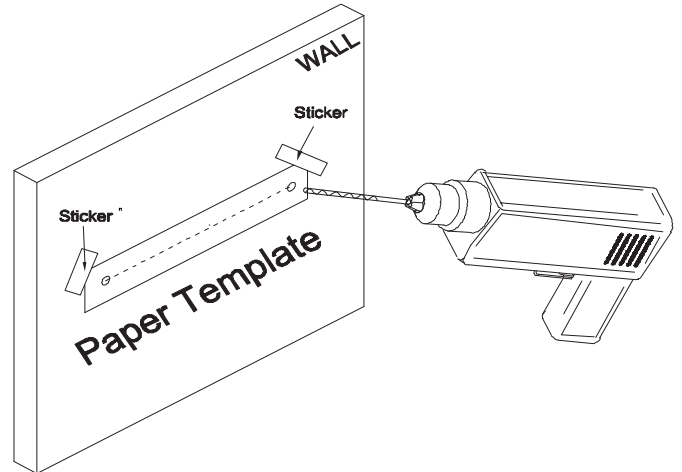
Sticker*4

Total Weight Capacity 11 lbs

Step 1×2

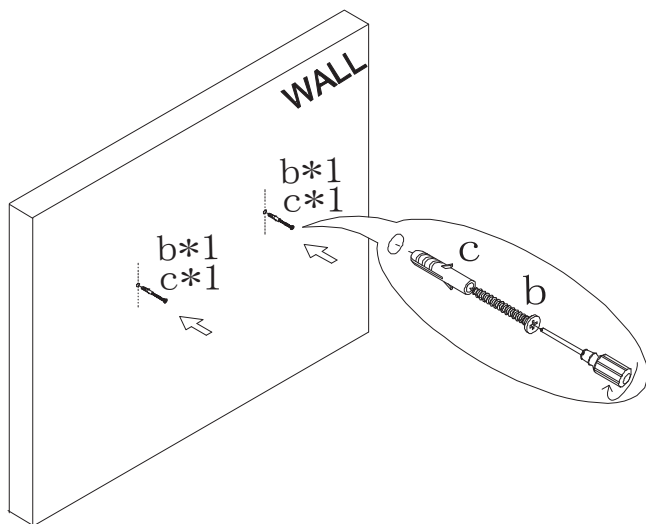


Step 2×2



STICK PAPER TEMPLATE ON THE WALL

Step 3×2



Step 4

